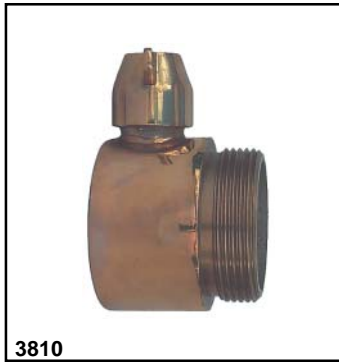




Adapters

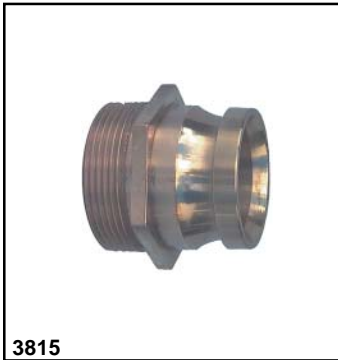


Model 3805

Configuration: 2 1/2" Female British Instantaneous x 2 1/2" Female threads*, polished brass

Model 3810

Configuration: 2 1/2" Female British Instantaneous x 2 1/2" Male threads*, polished brass



Model 3815

Configuration: 2 1/2" Male British Instantaneous x 2 1/2" Male threads*, polished brass

Model 3820

Configuration: 2 1/2" Male British Instantaneous x 2 1/2" Female threads*, polished brass

*Specify hose threads (NST) or pipe threads (NPT)

Plugs and Caps



Model 3825

- 2 1/2" British Instantaneous plug, polished brass

Model 3827

- 2 1/2" British Instantaneous plug, black elastomer

Model 3835

- 2 1/2" British Instantaneous cap, polished brass

Model 3837

- 2 1/2" British Instantaneous cap, black polycarbonate

Hose Couplings and Nozzle



Model 3840

Configuration: 1 1/2" British Instantaneous (female and male) x 1 1/2" shank, polished brass

Model 3842

Configuration: 2 1/2" British Instantaneous (female and male) x 1 1/2" shank, polished brass

Model 3844

Configuration: 2 1/2" British Instantaneous (female and male) x 2 1/2" shank, polished brass

Model 3850

- Jet/spray nozzle, lever operated, 2 1/2" Male British Instantaneous base, aluminum/polyamide construction