



Function

- Provide an immediate water source with flow available at any time during hose deployment
- **Industrial** and **European** type models suitable for interior/exterior fire protection and wash-down

Standard Construction & Features (Industrial)

- One-piece all welded steel “A” frame construction
- Solid ribbed discs with rolled edges
- Adjustable friction brake assembly
- Solid steel crank with round handle
- Open drum slot hose connection
- Female NPT swivel inlet & male hose thread outlet (brass adapter)
- Red polyester powder coat finish

Model No.	Hose Capacity	Inlet Swivel	Dimensions						
			A	B	C	D	E	F	G
3601	1" x 100'	1" F.NPT 90°	10½"	11½"	24"	16⅞"	28¾"	20⅞"	26¼"
3602	1" x 200'	1" F.NPT 90°	10½"	20"	24"	25⅝"	37¼"	20⅞"	26¼"
3605	1½" x 50'	1½" F.NPT	10½"	11½"	24"	17⅞"	24⅞"	22⅞"	25"
3611	1½" x 100'	1½" F.NPT	10½"	20"	24"	25⅞"	32⅞"	22⅞"	25"
3612	1½" x 250'	1½" F.NPT	10½"	33"	24"	38⅞"	45⅞"	24½"	29"

Note: Reels must be installed with flexible inlet connections

Options

- Add suffix **-GA** to model no. for galvanized steel construction

Accessories

- Non-collapsible hose and couplings (refer to bottom of page)
- Valve (refer to pages 50 & 54)
- Nozzle (refer to pages 36 & 37)
- Flexible hose inlet connection (specify hose size/length and fittings)

Standard Construction & Features (European)

- Solid steel rims, chrome plated sheet steel hub, steel mounting bracket
 - Painted red polyester finish, DIN EN671 standards
- Includes:** 100' non-collapsible hose, globe valve, hose clamps, polycarbonate nozzle, connector hose and instruction plate.

Fixed Model No.	Swinging Model No.	Hose Reel Capacity	Dimensions	
			Diameter	Depth
3621	3631	¾" x 100'	23½"	9½"
3622	3632	1" x 100'	23½"	10"

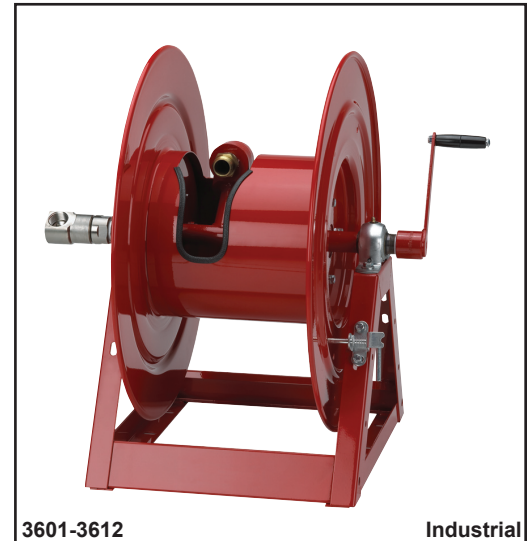
Non-Collapsible Rubber Hose

- Double spiral braided, textile ply reinforced, black EPDM rubber tube, red EPDM cover (50', 75' and 100' lengths)

Use: Interior/exterior fire protection and industrial wash-down

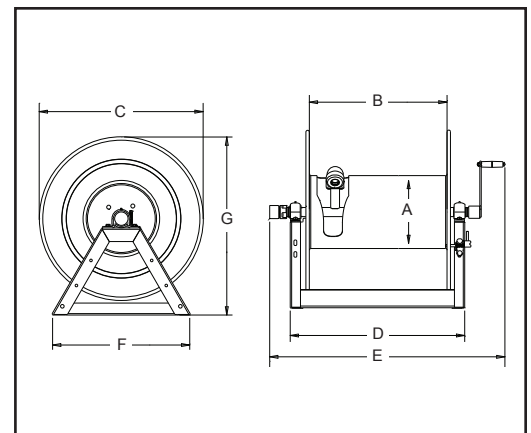
Model No.	Hose Size	Brass Coupling No.	Burst/Service Test
3652	1"	3662	800/200 PSI
3653	1½"	3663	800/200 PSI

Note: Hose with shank-type couplings installed as standard, unless otherwise specified.



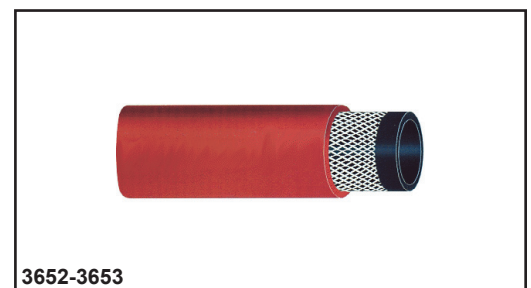
3601-3612

Industrial



3631/3632

European



3652-3653