



Function

- Provides an immediate water source for fire control and suppression
- Suitable for building occupant/fire dept. use and conforms to NFPA standards for Class III Service
- Permits one-person operation

Standard Assembly Components

- Model 5025** Angle Valve 2 1/2", Cast Brass, UL
- Model 3215** Hose Rack, Red Enamel Steel, UL
- Model 3225** Rack Nipple 2 1/2", Machined Brass
- Model 3315** Reducer 2 1/2" x 1 1/2", Cast Brass
- Model 3402** Lined Rack Hose 1 1/2", 500 PSI
- Model 3480** Hose Coupling 1 1/2", Pin Lug, Cast Brass
- Model 3704** Fog Nozzle 1 1/2", Machined Brass, UL

Contact Guardian for Current Approvals

Assembly Model No.	Hose Length	Dimensions			
		A	B	C	D
3105	50'	30"	27"	22"	5"
3107	75'	30"	27"	22"	5"
3110	100'	30"	27"	22"	5"

Optional Finishes

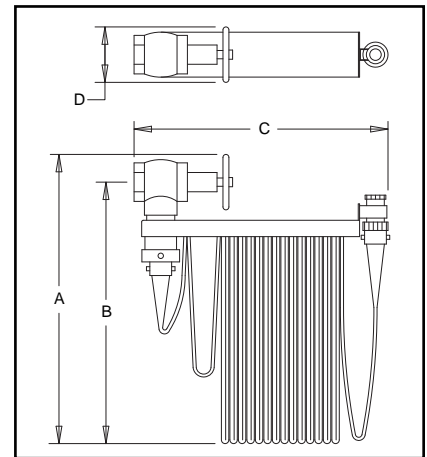
Suffix

- **B** Polished brass components, standard red rack
- **C** Rough Chrome Plated brass components, standard red rack
- **D** Polished Chrome Plated brass components, standard red rack
- **E** Rough Chrome Plated brass components, Chrome Plated rack
- **F** Polished Chrome Plated brass components, Chrome Plated rack

To specify, add suffix to assembly model no.



3100 Series



Optional Assembly Components

Suffix

- **9** Model 3275 2 1/2" VALVES Valve Escutcheon, Cadmium Plated
- **11** Model 3245 Adjustable Pressure Restricting Device, Cast Brass
- **12** Model 3250 Pressure Restricting Disc, Brass (1 1/2")
- **17** Model 5045 Adjustable Pressure Restricting Valve, Cast Brass
- **19** Model 5255 Factory Set Pressure Regulating Valve, Cast Brass
- **21** Model 5225 Adjustable Pressure Regulating Valve, Cast Brass
- **22*** Model 3412 1 1/2" HOSE Single Jacket Hose, 300 PSI Acceptance Test
- **24*** Model 3422 Single Jacket Hose, 500 PSI Acceptance Test
- **26** Model 3480-RL 1 1/2" COUPLINGS Rocker Lug Coupling, Cast Brass
- **28** Model 3490 Rocker Lug Coupling, Aluminum
- **30** Model 3704B 1 1/2" NOZZLES Fog Nozzle with bumper, Machined Brass
- **32** Model 3724 Industrial Fog Nozzle, Machined Brass
- **34** Model 3724E Industrial All-Fog Nozzle, Machined Brass
- **36** Model 3714 Fog Nozzle, Red Polycarbonate
- **38** Model 3714E All-Fog Nozzle, Red Polycarbonate

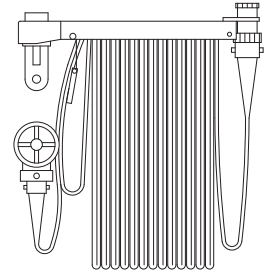
MOUNTING

- **40** Model 3230 Wall Bracket, Aluminum
- **42** Model 3232 Pipe Bracket, Aluminum with Clamps

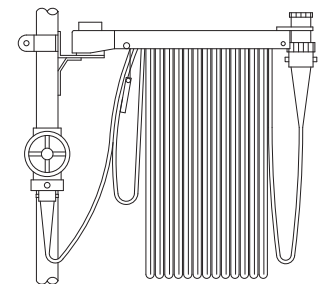
To specify options, add suffix(es) to assembly model no.

* This option changes rack assembly dimensions, consult factory for use with cabinets

Optional Mounting Styles



-40 Wall Bracket



-42 Pipe Bracket