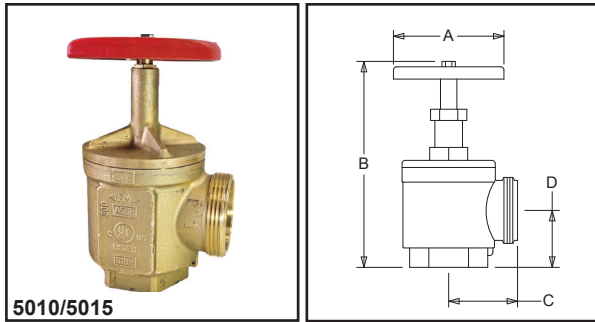
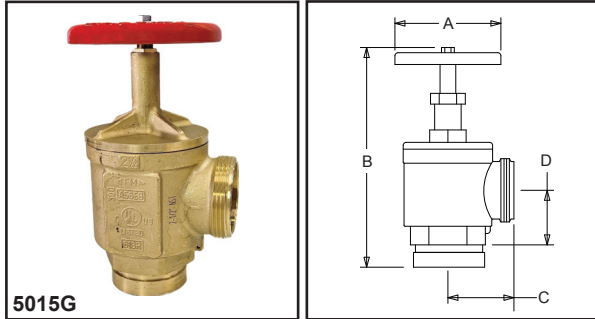




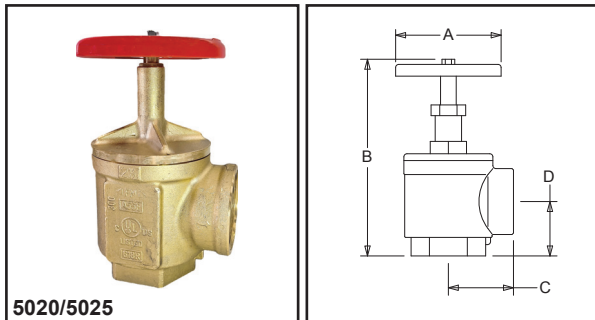
## Angle Valves



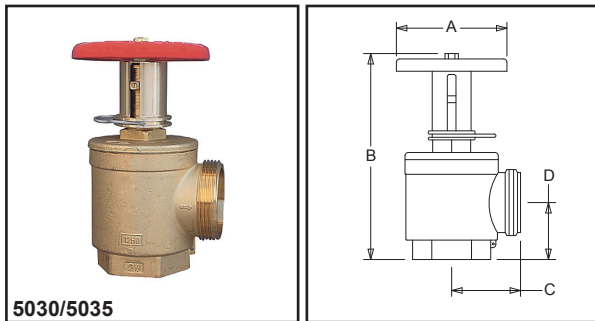
5010/5015



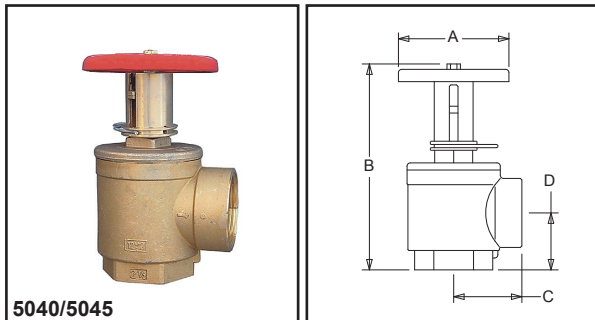
5015G



5020/5025



5030/5035



5040/5045

### Female x Male

- Used as fire hose outlet connections
- Female NPT (or Groove) inlet x Male hose thread outlet, 300 PSI, cast brass\*

Model No.	Size	A	B Open	C	D	Swing Radius
5010	1½" x 1½"	4"	7¾"	2¼"	2"	2½"
5015	2½" X 2½"	5¼"	11"	3¼"	2¾"	3½"
5015G	2½" X 2½"	5⅞"	11⅜"	3⅜"	3⅜"	5⅞"

### Female x Female

- Used with hose rack assemblies
- Female NPT inlet and outlet, 300 PSI, cast brass\*, UL listed

Model No.	Size	A	B Open	C	D	Swing Radius
5020	1½" x 1½"	4"	7¾"	2¼"	2"	2½"
5025	2½" X 2½"	5¼"	11"	3¼"	2¾"	3½"

\*Optional brass finishes add suffix to model no.  
-B Polished; -C Rough Chrome Plated; -D Polished Chrome Plated

## Pressure Restricting Angle Valves

### Female x Male

- Used as fire hose outlet connections
- Field-adjustable restricting mechanism reduces water pressure under flowing conditions (175 PSI max. inlet). When full flow is required, restriction can be over-ridden by trained personnel
- Female NPT inlet x Male hose thread outlet, 175 PSI, cast brass\*

Model No.	Size	A	B Open	C	D	Swing Radius
5030	1½" x 1½"	4"	8"	2¼"	2"	2½"
5035	2½" X 2½"	5¼"	11½"	3¼"	2¾"	3½"

### Female x Female

- Used with hose rack assemblies
- Field-adjustable restricting mechanism reduces water pressure under flowing conditions (175 PSI max. inlet). When full flow is required, restriction can be over-ridden by trained personnel
- Female NPT inlet and outlet, 175 PSI, cast brass\*

Model No.	Size	A	B Open	C	D	Swing Radius
5040	1½" x 1½"	4"	8"	2¼"	2"	2½"
5045	2½" X 2½"	5½"	11½"	3½"	2½"	3½"

\*Optional brass finishes add suffix to model no.  
-B Polished; -C Rough Chrome Plated; -D Polished Chrome Plated

Contact factory for current UL listing and special requirements

**\*\*Important: Specify Hose Threads\*\***