



Equipment House

Function

- Used to store fire equipment adjacent to hydrant or other water supply

Construction & Features

- Choice of 16 gauge cold-rolled steel, 16 gauge galvanized steel or .063 marine-grade aluminum construction
- Weather-proof sloping top with front overhang
- Double reinforced doors with continuous hinges, two-point door catch with chrome plated zinc handle
- Louvers on both ends for ventilation
- Welded construction, finished with a durable UV-resistant polyester powder coat red paint and high gloss finish
- 13" deep adjustable shelf
- "Fire Hose" decal
- Shipped assembled (optional formed legs are separate)

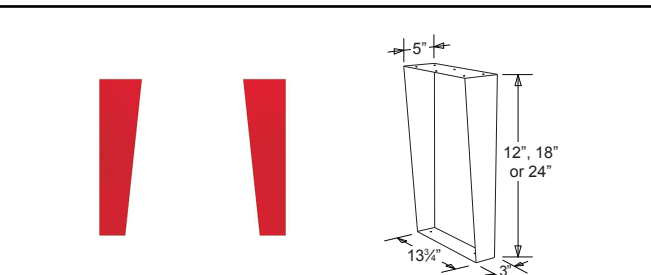
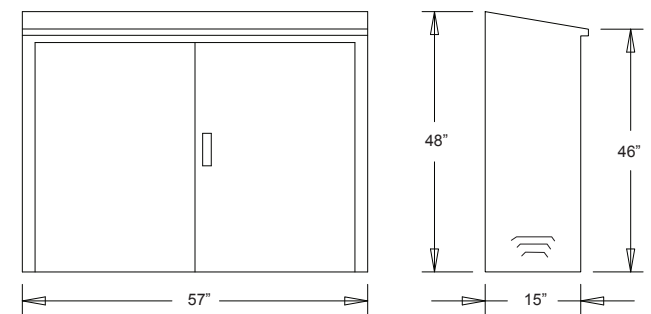
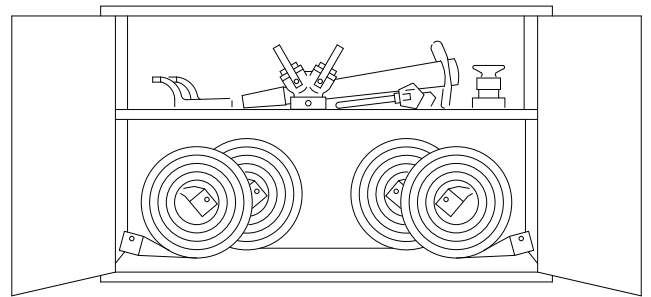
Model No.	Construction
8030	16 ga. cold-rolled steel
8032	16 ga. galvanized steel
8034	.063 marine-grade aluminum

Option:

- (2) Formed legs, 12 gauge steel construction, including mounting hardware
- To specify, add suffix **-FL** and leg height (**12"**, **18"**, or **24"**), to model no.



8030-8034



Option Formed Legs (-FL)