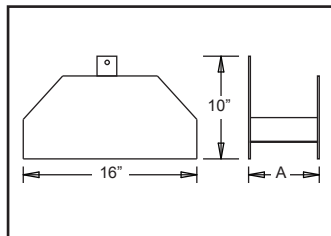
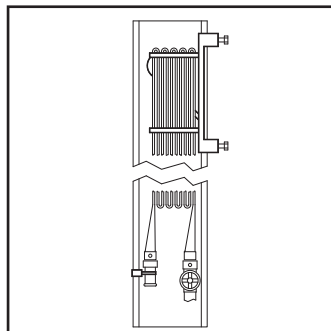
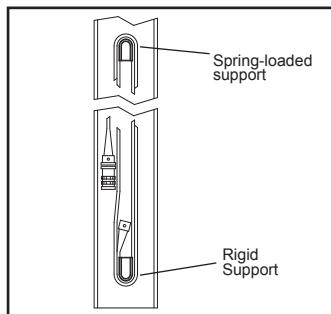
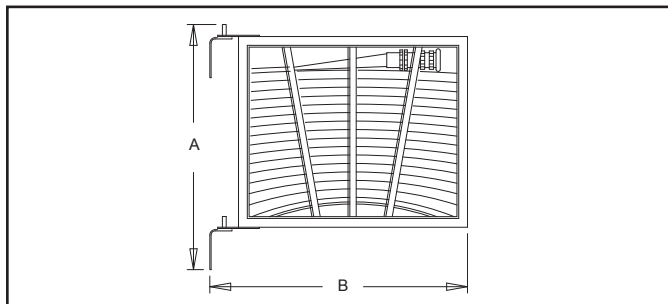


3500 Series Hose Racks and Hangers

GUARDIAN
FIRE EQUIPMENT, INC.



Hump Rack

- Heavy-gauge steel construction, red enamel finish
- Sturdy wall bracket permits 180° swing
- Option: Add suffix **-42** to rack model no. for pipe clamps (specify pipe size)

Rack Model No.	Rack Capacity			Cover (Optional) Model No.	Dimensions			
	Hose Size	Rack Hose	Single Jacket		Double Jacket	A	B	Width
3533	1½"	200'	100'	75'	3543	27⅞"	33½"	4⅝"
3534	2½"	200'	100'	75'	3544	27⅞"	33½"	5⅓⅙"

Hump Rack Cover

- Protects assembly and identifies product
- Reinforced red vinyl with velcro fasteners, lettered "Fire Hose"

Models 3543 & 3544 Refer to chart for appropriate model

In-Column Hanger

- Cast aluminum construction
- Two-piece design with spring-loaded upper support

Model 3550 Accommodates 1½" or 2½" x 100' single or double jacket hose

Nozzle Holder Clip

- Nozzle holder

Model 3554 Nozzle holder clip

Hose Saddle Rack

- 12 gauge steel, red enamel finish
- Size: 16" W. x 10" H.

Model No.	A	Accommodates
3561	3½"	1½" x 50' single jacket
3562	4½"	2½" x 50' single jacket
3563	6¼"	1½" x 100' single jacket
3564	9"	2½" x 100' single jacket

Optional Finishes: **-AL** for aluminum, **-SS** for stainless steel