



Standard Construction & Features

Disc-Type

- Solid one-piece steel discs with slots, painted red enamel
- Sturdy wall bracket permits 180° swing
- Suitable for Rack/Reel, Single and Double Jacket fire hose

Spoke-Type

- Steel rims, mounting arms, spokes and heavy-duty hub, painted red enamel, welded construction
- Heavy duty wall brackets permits 180° swing
- Suitable for Rack/Reel, Single and Double Jacket fire hose

Reel Model No.	Reel Capacity						Cover (Optional) Model No.	Dimensions		
	Rack Hose		Single Jacket		Double Jacket			A	B	C
	1½"	2½"	1½"	2½"	1½"	2½"				
3501	100'	--	--	--	--	3511	18"	23½"	6¼"	
3502	150*	100'	--	50'	--	3512	24"	29½"	6¼"	

*Capacity based upon two-hose (equal length) combination

Reel Model No.	Reel Capacity						Cover (Optional) Model No.	Dimensions		
	Rack Hose		Single Jacket		Double Jacket			A	B	C
	1½"	2½"	1½"	2½"	1½"	2½"				
3505	100'	--	75'	--	50'	--	3515	21"	27"	7½"
3506	200*	--	150'	--	100'	--	3516	26"	33"	7½"
3508	--	--	200*	100'	150*	75'	3518	26"	34"	9½"

*Capacity based upon two-hose (equal length) combination

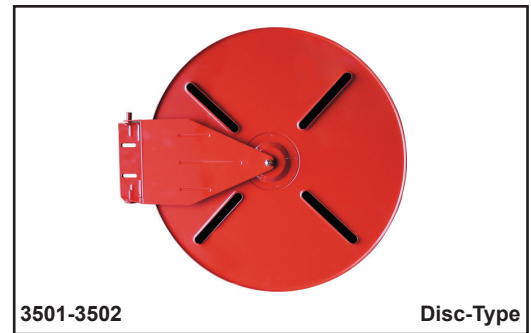
Accessories

- Fire Hose (refer to page 32)
- Valve (refer to page 50 to 53)
- Nozzle (refer to page 36 & 37)
- Hose clamp and cover (refer to bottom of page)

Hose Reel Cover

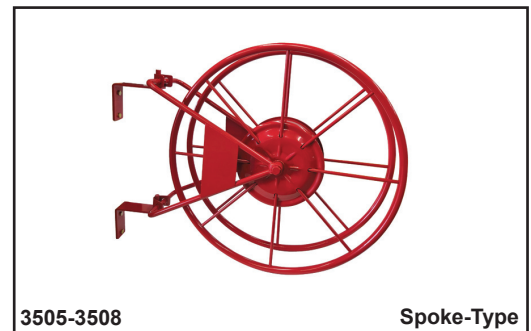
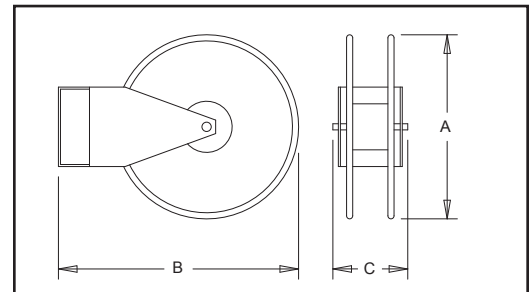
- Protects assembly and identifies product
- Reinforced red vinyl with velcro fasteners, lettered "Fire Hose"

Refer to reel chart for appropriate model



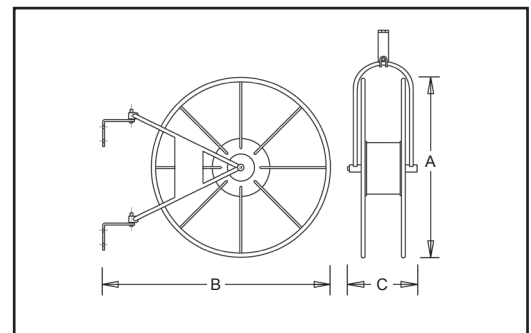
3501-3502

Disc-Type



3505-3508

Spoke-Type



3511-3518