



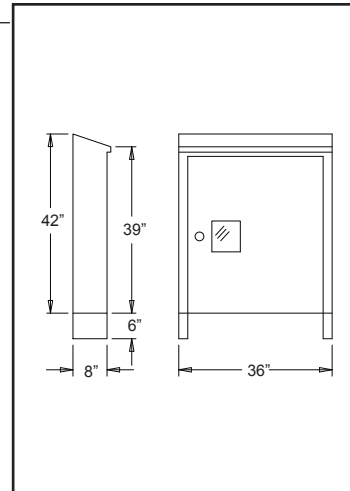
**Aluminum Cabinet**

**Model 2710**

- **Accommodates:** 1½" or 2½" x 1½" Fire Hose Rack Assembly, plus Fire Extinguisher

**Standard Construction & Features**

- Corrosion-resistant heavy gauge marine grade aluminum construction, welded, edges ground smooth
- Free-standing design with 6" legs
- Sloping top with overhang
- Solid door with break-glass panel and internal trip handle
- Stainless steel cam lock, keyed alike
- Powder coat finish



**Fiberglass Cabinets**

**Model 2715**

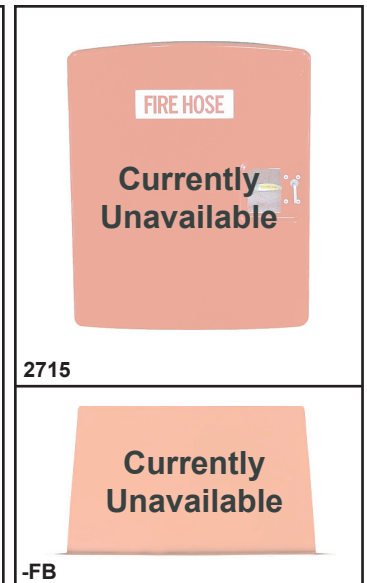
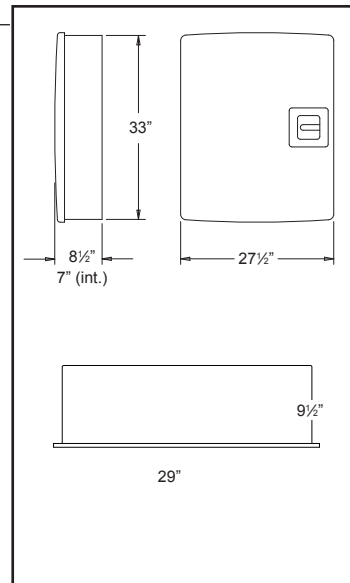
- **Accommodates:** 1½" or 2½" x 1½" Fire Hose Rack Assembly, plus Fire Extinguisher

**Standard Construction & Features**

- Molded ½" thick fiberglass, color-infused red
- Solid door with break-glass panel and internal trip handle
- Aluminum hardware
- Wall mount or free-standing with optional base blocks

**Options**

- Add suffix **-ST** for solid door and non-locking "T" handle
- Add suffix **-FB** for 9½" high fiberglass base
- Colors - contact factory



**Models 2725/2735**

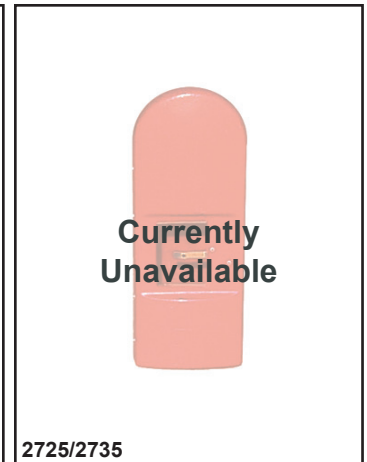
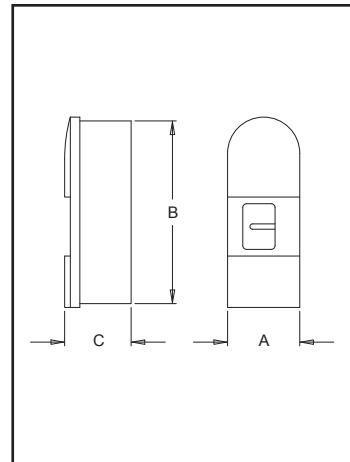
- **Accommodates:** Fire Extinguishers - refer to size chart

**Standard Construction & Features**

- Molded ½" thick fiberglass, color-infused red
- Solid door with break-glass panel and internal trip handle
- Aluminum hardware
- Wall mount or free-standing with optional base blocks

**Options**

- Add suffix **-ST** for solid door and non-locking "T" handle
- Add suffix **-PB** for plastic base blocks
- Colors - contact factory



Model No.	Dimensions				Accommodate Guardian Extinguishers
	A	B	C (ext.)	C (int.)	
2725	9½"	24"	8¾"	7½"	Dry Chemical: 5, 6 & 10 lb. • CO <sub>2</sub> : 5 lb. • Halotron1: 5lb
2735	14"	36"	10"	9"	Any Dry Chemical • CO <sub>2</sub> : 5, 10lb. • Any Halotron1 • Water, Foam: 2.5 Gallon