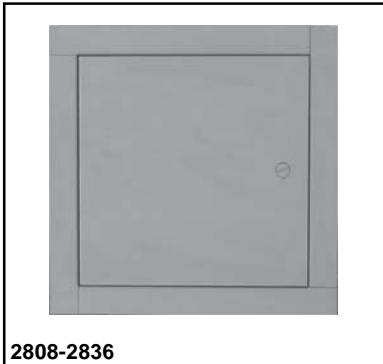
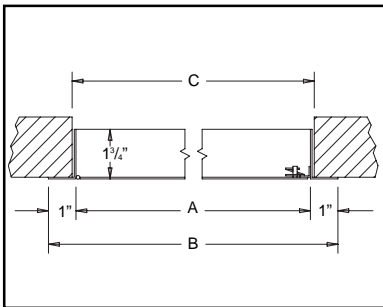


2800 Series Multi-Purpose Flush Access Panels

GUARDIAN
FIRE EQUIPMENT, INC.



2808-2836



Function

- Permit access for inspection/service to plumbing, heating, air conditioning, electrical and sprinkler system components

Standard Construction & Features

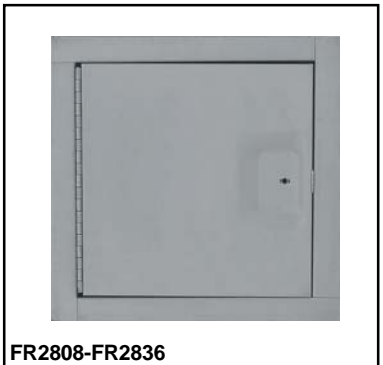
- 14 gauge steel door, 16 gauge steel frame
- Phosphate dipped, prime coated
- Rough wall opening concealed by 1" frame flange
- Flush cam lock, screwdriver-operated

Optional Construction & Hardware

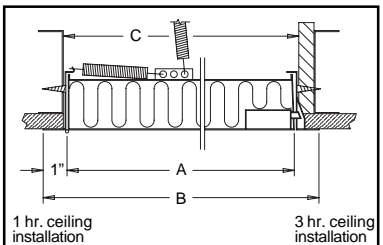
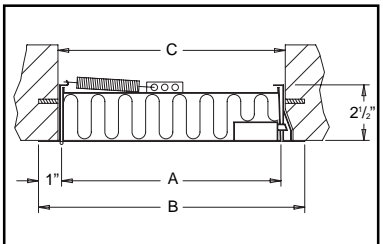
- Add prefix **SS** to access panel model no. for 18 gauge stainless steel
- Add suffix **-CL** to access panel model no. for cylinder lock with two keys

Model No.	A Width x Height	B Outside Frame		C Wall Opening		Latches
		Width	Height	Width	Height	
2808	8" x 8"	10"	10"	8 ³ / ₈ "	8 ³ / ₈ "	1
2810	10" x 10"	12"	12"	10 ³ / ₈ "	10 ³ / ₈ "	1
2812	12" x 12"	14"	14"	12 ³ / ₈ "	12 ³ / ₈ "	1
2814	14" x 14"	16"	16"	14 ³ / ₈ "	14 ³ / ₈ "	1
2816	16" x 16"	18"	18"	16 ³ / ₈ "	16 ³ / ₈ "	1
2818	18" x 18"	20"	20"	18 ³ / ₈ "	18 ³ / ₈ "	1
2822	22" x 22"	24"	24"	22 ³ / ₈ "	22 ³ / ₈ "	4
2824	24" x 24"	26"	26"	24 ³ / ₈ "	24 ³ / ₈ "	4
2830	30" x 30"	32"	32"	30 ³ / ₈ "	30 ³ / ₈ "	5
2836	36" x 36"	38"	38"	36 ³ / ₈ "	36 ³ / ₈ "	5

Contact factory for *special* sizes and options



FR2808-FR2836



1 hr. ceiling installation
3 hr. ceiling installation
*Extra spring on 16"x16" and larger - spring must be attached from the spring base to the framing or floor above to ensure that the panel is self-closing.

Fire-Rated Construction & Features

- 16 gauge steel door & 20 gauge steel frame, gray baked enamel finish
- Automatic latching, spring-close doors
- Turning or key lock option--both provided
- U.L. 1 1/2-hour "B" label rating for walls and **WARNOCK HERSEY** label for 3-hour non-combustible and 1-hour combustible floor/ceiling assemblies

Optional Construction

- Add prefix **SS** to access panel model no. for stainless steel (16 gauge frame, 20 gauge door)

Model No.	A Width x Height	B Outside Frame		C Wall Opening		Latches
		Width	Height	Width	Height	
FR2808	8" x 8"	10"	10"	8 ³ / ₈ "	8 ³ / ₈ "	1
FR2810	10" x 10"	12"	12"	10 ³ / ₈ "	10 ³ / ₈ "	1
FR2812	12" x 12"	14"	14"	12 ³ / ₈ "	12 ³ / ₈ "	1
FR2814	14" x 14"	16"	16"	14 ³ / ₈ "	14 ³ / ₈ "	1
FR2816	16" x 16"	18"	18"	16 ³ / ₈ "	16 ³ / ₈ "	1
FR2818	18" x 18"	20"	20"	18 ³ / ₈ "	18 ³ / ₈ "	1
FR2824	24" x 24"	26"	26"	24 ³ / ₈ "	24 ³ / ₈ "	1
FR2830	30" x 30"	32"	32"	30 ³ / ₈ "	30 ³ / ₈ "	2
FR2836	36" x 36"	38"	38"	36 ³ / ₈ "	36 ³ / ₈ "	2

Contact factory for *special* sizes and options