

6700 Series Flush Fire Pump Test Connections

GUARDIAN
FIRE EQUIPMENT, INC.



Function

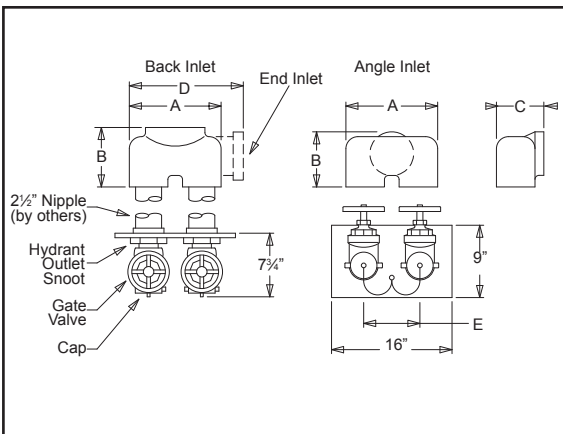
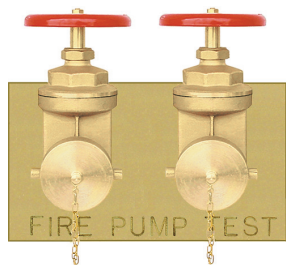
- Used to conduct flow tests on fire pumps

Features/Components

- **Two & three-way** test connections feature brass bodies (straight, angle or end pattern) with female NPT inlets and outlets
- **Standard components, all connections:**
Hydrant outlet snoots (2½" or 3" female NPT x 2½" male NPT), N.R.S. loose bonnet gate valves (2½" female NPT x 2½" male hose thread), caps with chains and identification plate lettered "FIRE PUMP TEST"
- Cast brass construction*, standard

*Optional brass finishes on exposed surfaces, add suffix to model no.
-B Polished; -C Rough Chrome Plated; -D Polished Chrome Plated

6724-6729



Two and Three-Way Connections

Model No.	Inlet	Size	Pump Size (gpm)	A	B	C	D	E
6724	Back	4" x 2½" x 2½"	500	11"	6⅞"	---	---	7"
6725	Angle	4" x 2½" x 2½"	500	11"	6⅞"	4⅞"	---	7"
6726*	End	4" x 2½" x 2½"	500	---	---	---	16"	7"
6727	Back	6" x 2½" x 2½"	500	11½"	8"	---	---	7⅝"
6728	Angle	6" x 2½" x 2½"	500	11½"	7¾"	4⅞"	---	7⅝"
6729*	End	6" x 2½" x 2½"	500	---	---	---	16"	7"
6734**	Back	6" x 2½" x 2½" x 2½"	750	17⅜"	6⅞"	---	---	7"
6735**	Angle	6" x 2½" x 2½" x 2½"	750	17⅜"	9"	6"	---	7"
6736*	End	6" x 2½" x 2½" x 2½"	750	---	---	---	20½"	7"

*Available with steel body (-ST) only

**Hydrant outlet, 3" F.NPT x 2½" M.NPT

Component Variations

Suffix

- ST Bodies fabricated of schedule 40 steel (straight, angle or end pattern) with female NPT inlets and outlets
All steel bodies furnished with 2½" female NPT outlets and 7" center lines
- 1 Standard components, except hydrant outlet snoots (2½" or 3" female NPT x 2½" male hose thread), and less valves
- 2 Standard components, except hydrant outlet snoots (2½" or 3" female NPT x 2½" male hose thread), and N.R.S. swivel inlet gate valves (2½" female hose thread x 2½" male hose thread)
Swivel inlet gate valves always furnished cast brass

To specify variations, add suffix(es) to model no.

Notes

- Always specify hose threads
- Pipe nipples for connecting bodies to hydrant snoots by others
- Contact Guardian for current approvals and special requirements

6734-6736

