



GUARDIAN
FIRE EQUIPMENT, INC.
MIAMI, FL

Ph. 800.327.6584 • Fax 800.827.3869

DETAIL AND SUBMITTAL SHEET

ZW5000 - Zurn Pressure Reducing Valve

Project/Location: _____

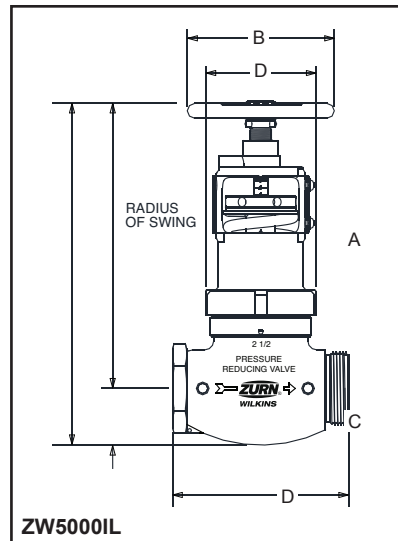
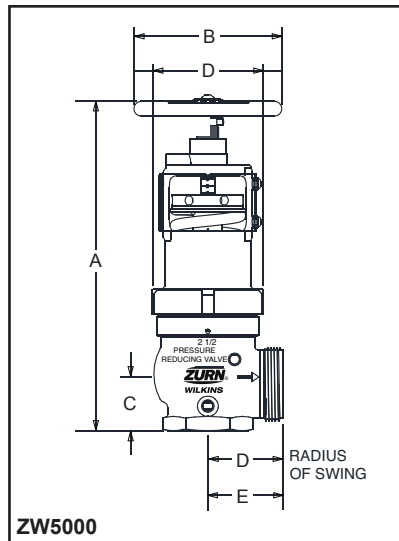
Date: _____

Architect/Engineer: _____

Qty: _____

Contractor: _____

Appropriate Selection



Zurn Model ZW5000 - Pressure reducing valve is listed as a standpipe valve for individual hose stations in CLASS I and CLASS III systems. Regulates pressure under both flow and no-flow conditions. Ideal for situations which may require immediate field adjustments. Can be factory-set or adjusted in the field as needed.

Model No.	A Open	A Closed	B	C	D	E	F	Weight
<input type="checkbox"/> ZW5000	13 ⁷ / ₈ "	13 ³ / ₈ "	6 ¹ / ₄ "	2"	5"	3 ¹ / ₂ "	3 ¹ / ₄ "	22.5
<input type="checkbox"/> ZW5000IL	14 ¹ / ₂ "	14"	6 ¹ / ₄ "	2 ¹ / ₂ "	5"	12 ⁷ / ₁₆ "	7 ¹ / ₂ "	26.75
<input type="checkbox"/> ZW5000G	14 ¹ / ₂ "	14"	6 ¹ / ₄ "	2 ¹ / ₂ "	5"	--	3 ¹ / ₄ "	22.5
<input type="checkbox"/> ZW5000ILG	14 ¹ / ₂ "	14"	6 ¹ / ₄ "	2 ¹ / ₂ "	5"	--	8 ³ / ₄ "	27
<input type="checkbox"/> ZW5000F	13 ⁷ / ₈ "	13 ³ / ₄ "	6 ¹ / ₄ "	2"	5"	3 ¹ / ₂ "	3 ¹ / ₁₆ "	23
<input type="checkbox"/> ZW5000FIL	14 ¹ / ₂ "	14"	6 ¹ / ₄ "	2 ¹ / ₂ "	5"	12 ⁷ / ₁₆ "	7 ¹ / ₂ "	27.25
<input type="checkbox"/> ZW5000SF	13 ⁷ / ₈ "	13 ³ / ₈ "	6 ¹ / ₄ "	2"	5"	3 ³ / ₄ "	3 ³ / ₈ "	22.5

Suffix Options: IL - in-line (globe type) valve G - grooved inlet SF - San Francisco hose thread (3")
F - Female inlet and outlet connections

Options: -RB Rough Brass -C Rough Chrome Plated

Threads: NST Other _____