



**GUARDIAN**

FIRE EQUIPMENT, INC.  
MIAMI, FL

Ph. 800.327.6584 • Fax 800.827.3869

**DETAIL AND SUBMITTAL SHEET**

**3600 Series - Continuous Flow Reels and Accessories**

Project/Location: \_\_\_\_\_

Date: \_\_\_\_\_

Architect/Engineer: \_\_\_\_\_

Qty: \_\_\_\_\_

Contractor: \_\_\_\_\_

*Appropriate Selection*

Provide an immediate water source with flow available at any time during hose deployment. Industrial and European type models suitable for interior/exterior fire protection and wash-down.

**Continuous Flow Reel (Industrial)** - One-piece all welded steel "A" frame construction. Solid ribbed discs with rolled edges. Adjustable friction brake assembly. Solid steel crank with round handle. Open drum slot hose connection. Female NPT swivel inlet & male hose thread outlet (brass adapter). Red polyester powder coat finish

Model No.	Hose Capacity	Inlet Swivel	Dimensions						
			A	B	C	D	E	F	G
<input type="checkbox"/> 3601	1" x 100'	1" F.NPT 90°	10 1/2"	11 1/2"	24"	16 7/8"	28 3/4"	20 1/8"	26 1/4"
<input type="checkbox"/> 3602	1" x 200'	1" F.NPT 90°	10 1/2"	20"	24"	25 3/8"	37 1/4"	20 1/8"	26 1/4"
<input type="checkbox"/> 3605	1 1/2" x 50'	1 1/2" F.NPT	10 1/2"	11 1/2"	24"	17 1/16"	24 1/16"	22 3/16"	25"
<input type="checkbox"/> 3611	1 1/2" x 100'	1 1/2" F.NPT	10 1/2"	20"	24"	25 1/16"	32 9/16"	22 3/16"	25"
<input type="checkbox"/> 3612	1 1/2" x 250'	1 1/2" F.NPT	10 1/2"	33"	28"	38 1/16"	45 9/16"	24 1/2"	29"

Note: Reels must be installed with flexible inlet connections

Options:  -GA Galvanized steel construction

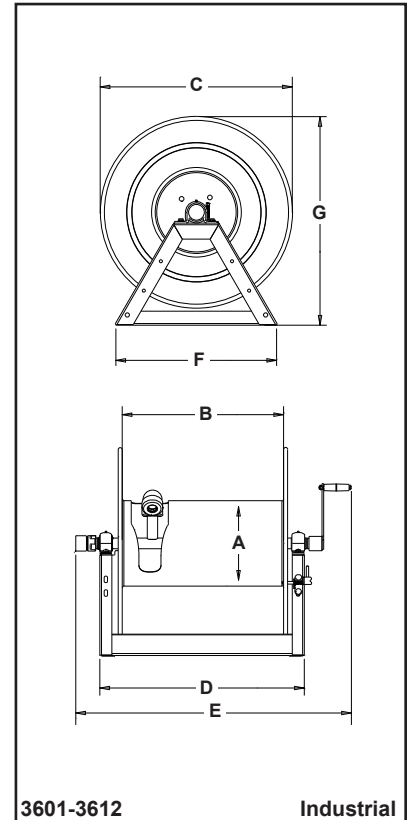
Accessories:

Non-collapsible hose with brass couplings (refer to bottom of page) \_\_\_\_\_

Valve (refer to pages 50 & 54) \_\_\_\_\_

Nozzle (refer to Series 36 & 37) \_\_\_\_\_

Flexible hose inlet connection (specify hose size/length and fittings) \_\_\_\_\_

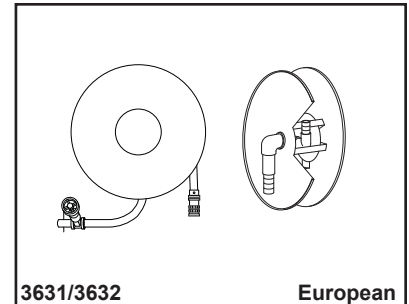


3601-3612 Industrial

**Continuous Flow Reel (European)** - Solid steel rims, chrome plated sheet steel hub, steel mounting bracket. Painted red polyester finish, DIN EN671 standards.

**Includes:** 100' non-collapsible hose, globe valve, hose clamps, polycarbonate nozzle, connector hose and instruction plate.

Fixed Model No.	Swinging Model No.	Reel Capacity Hose	Dimensions	
			Diameter	Depth
<input type="checkbox"/> 3621	<input type="checkbox"/> 3631	3/4" x 100'	23 1/2"	9 1/2"
<input type="checkbox"/> 3622	<input type="checkbox"/> 3632	1" x 100'	23 1/2"	10"



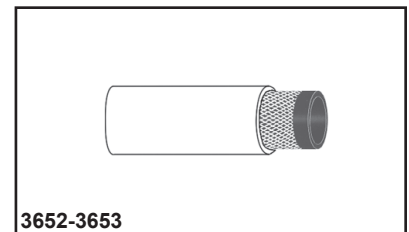
3631/3632 European

**Non-Collapsible Rubber Hose** - Double spiral braided, textile ply reinforced, black EPDM rubber tube, red EPDM cover (50', 75' and 100' lengths). Used for interior/exterior fire protection and industrial wash-down.

Model No.	Hose Size	Brass Coupling No.	Burst/Service Test
<input type="checkbox"/> 3652	1"	3662	800/200 PSI
<input type="checkbox"/> 3653	1 1/2"	3663	800/200 PSI

Note: 1" hose with NPSH shank-type couplings & 1 1/2" hose with NST expansion ring-type couplings as standard

Hose Length:  50'  75'  100'



3652-3653