



**GUARDIAN**

FIRE EQUIPMENT, INC.  
MIAMI, FL

Ph. 800.327.6584 • Fax 800.827.3869

**DETAIL AND SUBMITTAL SHEET**

**2900 Series - Detention Cabinets and Panels**

Project/Location: \_\_\_\_\_

Date: \_\_\_\_\_

Architect/Engineer: \_\_\_\_\_

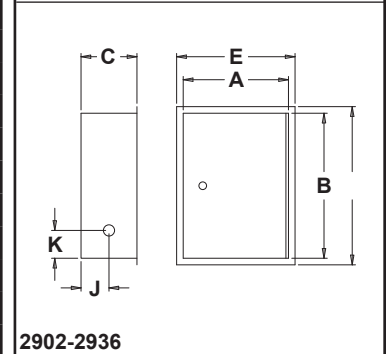
Qty: \_\_\_\_\_

Contractor: \_\_\_\_\_

*Appropriate Selection*

**Detention Cabinets** - Used to protect Fire Hose Rack Assemblies, Fire Extinguishers & Fire Dept. Valves, while maintaining maximum security. 12 gauge solid steel door, 14 gauge tub & drim, white epoxy primed. Heavy duty continuous hinge. Recessed cabinets with heavy duty masonry acnhors welded to frame. Mortise cylinder prep., detention lock prep., or detention lock installed.

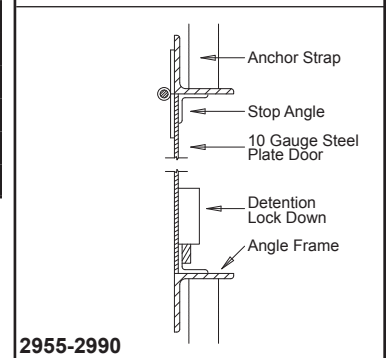
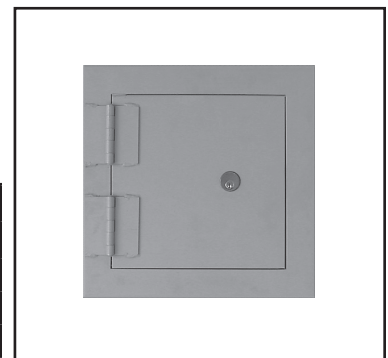
Model No.	Mounting Style	Trim	Dimensions									
			Box			Frame O.D.		K.O. Location		Wall Opening		
			A	B	C	E	F	J	K	W	H	D
<input type="checkbox"/> 2902	Rec.	3/8"	10 1/2"	24"	6 1/2"	12 1/2"	26"	--	--	11 1/2"	25"	7"
<input type="checkbox"/> 2904	Semi-Rec.	2 1/2"	10 1/2"	24"	6 1/2"	12 1/2"	26"	--	--	11 1/2"	25"	4 1/2"
<input type="checkbox"/> 2906	Surface	8"	13"	26 1/2"	8"	13"	26 1/2"	--	--	--	--	--
<input type="checkbox"/> 2912	Rec.	3/8"	12"	27"	8 1/2"	14"	29"	--	--	13"	28"	9"
<input type="checkbox"/> 2914	Semi-Rec.	2 1/2"	12"	27"	8 1/2"	14"	29"	--	--	13"	28"	6 1/2"
<input type="checkbox"/> 2916	Surface	10"	14 1/2"	29 1/2"	10"	14 1/2"	29 1/2"	--	--	--	--	--
<input type="checkbox"/> 2922	Rec.	3/8"	18"	18"	8 1/2"	20"	20"	3 1/2"	9"	19"	19"	9"
<input type="checkbox"/> 2924	Semi-Rec.	2 1/2"	18"	18"	8 1/2"	20"	20"	4 1/4"	9"	19"	19"	6 1/2"
<input type="checkbox"/> 2926	Surface	8"	20 1/2"	20 1/2"	10"	20 1/2"	20 3/4"	--	--	--	--	--
<input type="checkbox"/> 2932	Rec.	3/8"	32 3/4"	34 3/4"	8"	34 3/4"	36 3/4"	4"	4"	33 3/4"	35 1/2"	8 1/2"
<input type="checkbox"/> 2934	Semi-Rec.	2 1/2"	32 3/4"	34 3/4"	8"	34 3/4"	36 3/4"	4"	4"	33 3/4"	35 1/2"	6"
<input type="checkbox"/> 2936	Surface	10"	36 3/4"	38 3/4"	8"	38 3/4"	38 3/4"	--	--	--	--	--



2902-2936

**Detention Access Panels** - Permit access for inspection or service to plumbing, heating, air conditioning, electrical & sprinkler system components, while maintaining maximum security. 10 gauge plate steel door, 2" x 2" x 3/16" angle frame, rust-inhibitive gray primed. Heavy duty hinges welded to door & frame. Mortise cylinder prep., detention lock prep., or detention lock installed.

Model No.	Width x Height	Dimensions			
		Outside Frame		Wall Opening	
		Width	Height	Width	Height
<input type="checkbox"/> 2955	8" x 8"	12"	12"	8 3/4"	8 3/4"
<input type="checkbox"/> 2960	10" x 10"	14"	14"	10 3/4"	10 3/4"
<input type="checkbox"/> 2965	12" x 12"	16"	16"	12 3/4"	12 3/4"
<input type="checkbox"/> 2970	14" x 14"	18"	18"	14 3/4"	14 3/4"
<input type="checkbox"/> 2975	16" x 16"	20"	20"	16 3/4"	16 3/4"
<input type="checkbox"/> 2980	18" x 18"	22"	22"	18 3/4"	18 3/4"
<input type="checkbox"/> 2985	24" x 24"	28"	28"	24 3/4"	24 3/4"
<input type="checkbox"/> 2990	24" x 48"	28"	52"	48 3/4"	48 3/4"



2955-2990