



GUARDIAN

FIRE EQUIPMENT, INC.
MIAMI, FL

Ph. 800.327.6584 • Fax 800.827.3869

DETAIL AND SUBMITTAL SHEET

6000 Series - Flush Fire Dept. Inlet Connections

Project/Location: _____ Date: _____

Architect/Engineer: _____

Contractor: _____

Appropriate Selection

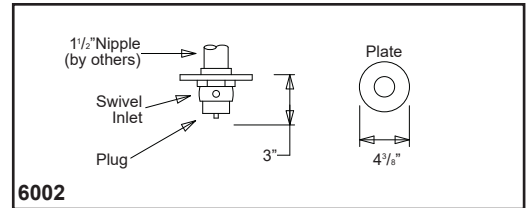
Used as auxiliary connections through which the fire department can pump water to supplement existing water supplies. Provides 250 GPM flow (minimum), per 2 1/2" inlet.

Single - inlet connections incorporate a straight-thru, non-clappered design with female NPT outlets.

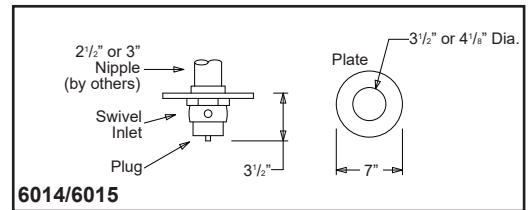
Two and three-way inlet connections feature brass bodies (angle or straight pattern), with integral drop-clapper inlets and female NPT outlets.

Standard components, all connections:

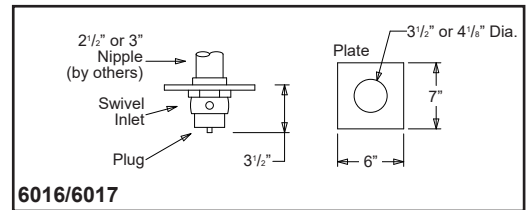
Female hose thread swivel inlets, plugs with chains and identification plate. Cast brass construction, standard.



6002



6014/6015



6016/6017

Single Inlet Connections					
Model No.	<input type="checkbox"/> 6002	<input type="checkbox"/> 6014	<input type="checkbox"/> 6015	<input type="checkbox"/> 6016	<input type="checkbox"/> 6017
Outlet	1 1/2"	2 1/2"	3"	2 1/2"	3"
Inlet	1 1/2"	2 1/2"	2 1/2"	2 1/2"	2 1/2"
Plate	4 1/2" O.D.	7" O.D.	7" O.D.	6" x 7"	6" x 7"

Identification Plate Lettering: **AUTO SPKR**

Two and Three-Way Connections							
Model No.	Outlet	Size	Clappers	A	B	C	D
<input type="checkbox"/> 6024	Back	4" x 2 1/2" x 2 1/2"	2	11 5/8"	7 1/8"	---	7"
<input type="checkbox"/> 6025	Bottom	4" x 2 1/2" x 2 1/2"	2	12 1/8"	6 7/8"	7 1/8"	7"
<input type="checkbox"/> 6026	Top	4" x 2 1/2" x 2 1/2"	2	12 1/8"	6 7/8"	7 1/8"	7"
<input type="checkbox"/> 6027	Back	6" x 2 1/2" x 2 1/2"	2	11 5/8"	7 1/8"	---	7 5/8"
<input type="checkbox"/> 6028	Bottom	6" x 2 1/2" x 2 1/2"	2	12 1/8"	7 5/8"	7 1/8"	7 5/8"
<input type="checkbox"/> 6029	Top	6" x 2 1/2" x 2 1/2"	2	12 1/8"	8"	9"	7 5/8"
<input type="checkbox"/> 6034*	Back	4" x 2 1/2" x 2 1/2" x 2 1/2"	3	17 3/8"	6 1/8"	---	7"
<input type="checkbox"/> 6037	Back	6" x 2 1/2" x 2 1/2" x 2 1/2"	3	17 3/8"	6 1/8"	---	7"
<input type="checkbox"/> 6038	Bottom	6" x 2 1/2" x 2 1/2" x 2 1/2"	3	17 3/8"	7 5/8"	7 1/8"	7"
<input type="checkbox"/> 6039	Top	6" x 2 1/2" x 2 1/2" x 2 1/2"	3	17 3/8"	7 5/8"	7 1/8"	7"

Identification Plate Lettering

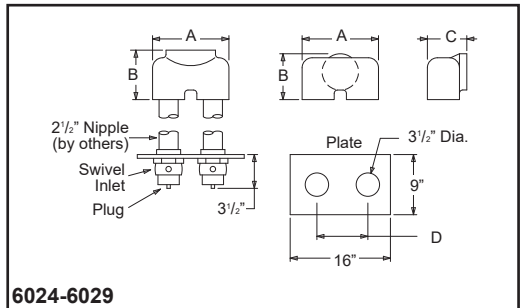
AUTO SPKR **AUTO SPKR & STANDPIPE**

STANDPIPE **DRY STANDPIPE**

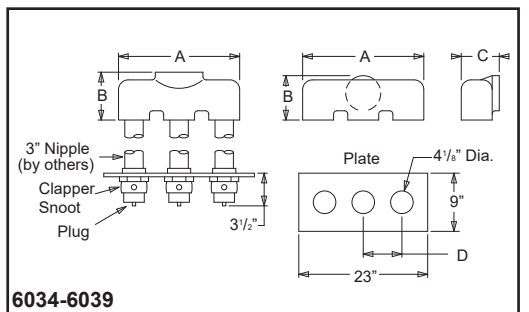
*With steel body only.

- Optional Finish: -B Polished Brass
 -C Rough Chrome Plated
 -D Polished Chrome Plated

- Threads:
 NST
 Other



6024-6029



6034-6039