



GUARDIAN

FIRE EQUIPMENT, INC.
MIAMI, FL

Ph. 800.327.6584 • Fax 800.827.3869

DETAIL AND SUBMITTAL SHEET

6100 Series - Projecting Fire Dept. Inlet Connections

Project/Location: _____

Date: _____

Architect/Engineer: _____

Qty: _____

Contractor: _____

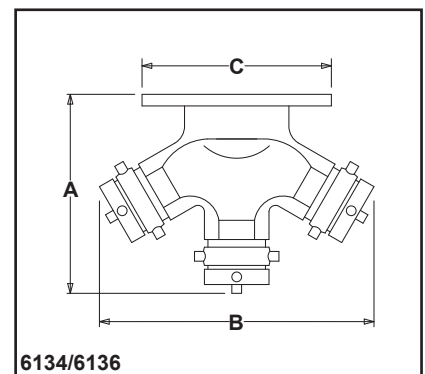
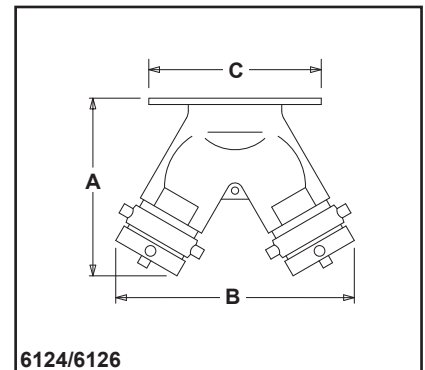
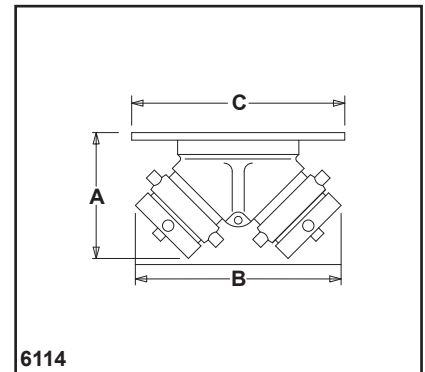
Appropriate Selection

Used as auxiliary connections through which the fire department can pump water to supplement existing water supplies. Provides 250 GPM flow (minimum), per 2 1/2" inlet.

Two and three-way - inlet connections feature clappered brass bodies (straight pattern), with female hose thread swivel inlets and female NPT outlets.

Standard components, all connections:

Plugs with chains and identification plate. Cast brass construction, standard.



Two and Three-Way Connections					
Model No.	Size	Clappers	A	B	C
<input type="checkbox"/> 6114	4" x 2 1/2" x 2 1/2"	1	5 7/8"	8 1/8"	10"
<input type="checkbox"/> 6124	4" x 2 1/2" x 2 1/2"	2	7 5/8"	10 1/2"	10"
<input type="checkbox"/> 6126	6" x 2 1/2" x 2 1/2"	2	8"	10 1/2"	11 1/4"
<input type="checkbox"/> 6134	4" x 2 1/2" x 2 1/2" x 2 1/2"	3	10 1/2"	13 3/4"	10"
<input type="checkbox"/> 6136	6" x 2 1/2" x 2 1/2" x 2 1/2"	3	11 1/4"	13 3/4"	11 1/4"
Identification Plate Lettering					
<input type="checkbox"/> AUTO SPKR		<input type="checkbox"/> AUTO SPKR & STANDPIPE			
<input type="checkbox"/> STANDPIPE		<input type="checkbox"/> DRY STANDPIPE			

Optional Finish: -B Polished Brass
 -C Rough Chrome Plated
 -D Polished Chrome Plated

Threads: NST
 Other _____