



GUARDIAN

FIRE EQUIPMENT, INC.
MIAMI, FL

Ph. 800.327.6584 • Fax 800.827.3869

DETAIL AND SUBMITTAL SHEET

6500 Series - Free Standing Fire Dept. Outlet Conns./Hydrant Controls

Project/Location: _____ Date: _____

Architect/Engineer: _____

Contractor: _____

Appropriate Selection

Free-Standing Fire Dept. Outlet Connections

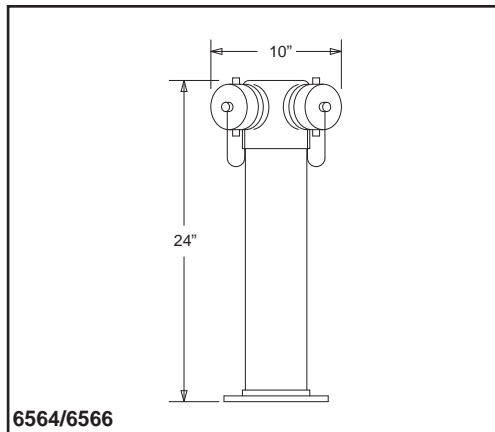
Used as auxiliary connections to supply water for fire department use.

Two and three-way outlet connections feature brass bodies (angle pattern), with female NPT inlets and male hose thread outlets.

Standard Components:

18" cover sleeve, caps with chains and identification plate lettered "HYDRANT". Cast brass construction.

Model No.	Outlet	Size	Swing Radiust
<input type="checkbox"/> 6564	Bottom	4" x 2 1/2" x 2 1/2"	4 3/4"
<input type="checkbox"/> 6566	Bottom	6" x 2 1/2" x 2 1/2"	6 1/2"
<input type="checkbox"/> 6574	Bottom	4" x 2 1/2" x 2 1/2" x 2 1/2"	6 1/4"
<input type="checkbox"/> 6576	Bottom	6" x 2 1/2" x 2 1/2" x 2 1/2"	6 1/4"



Hydrant Valve Controls

Used in conjunction with remote, non-rising stem valves to provide control of water flow to hydrant outlet connections.

Flush Type - Round or square plate lettered "HYDRANT CONTROL VALVE" with threaded 1 1/2" female NPT back and 2 1/2" NST front, cast brass.

Standard Components:

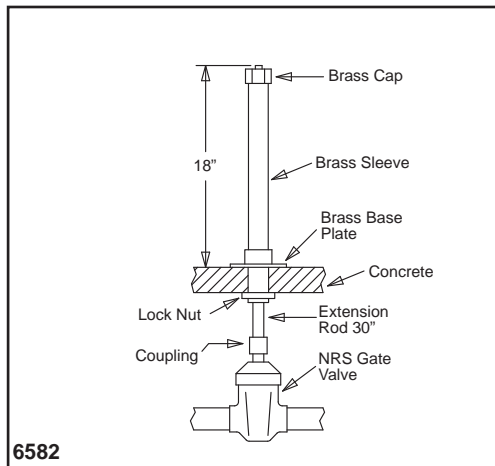
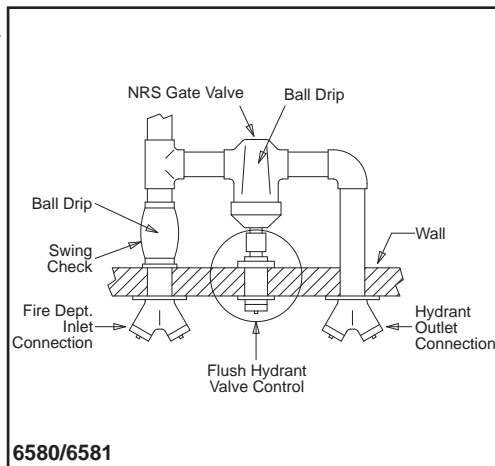
2 1/2" NST cap with chain, 1 1/2" NPT locknut, 7/8" x 18" long square steel extension rod with 1 1/8" round coupling* for attachment to gate valve stem.

Free-standing Type - Round plate lettered "HYDRANT CONTROL VALVE" with 1 1/2" female, NPT top, cast brass.

Standard Components:

1 1/2" x 16" long polished brass cover sleeve, 1 1/2" NPSH cap with chain, 1 1/2" NPT lock nut, 30" long x 7/8" square steel extension rod with 1 1/8" round coupling* for attachment to gate valve stem.

Model No.	Type	Plate
<input type="checkbox"/> 6580	Flush Hydrant Valve Control	7" Round
<input type="checkbox"/> 6581	Flush Hydrant Valve Control	7" Square
<input type="checkbox"/> 6582	Free-Standing Hydrant Valve Control	7" Round
<input type="checkbox"/> 6585	Control Wrench with 7/8" Socket, 12" long	----



Optional Finish: -B Polished Brass
 -C Rough Chrome Plated
 -D Polished Chrome Plated

Threads:
 NST
 Other

*Option: -2SQ 2" square coupling

Contact factory for current listings and approvals