



GUARDIAN

FIRE EQUIPMENT, INC.
MIAMI, FL

Ph. 800.327.6584 • Fax 800.827.3869

DETAIL AND SUBMITTAL SHEET

4600 Series - Fire Extinguisher Brackets and Covers

Project/Location: _____

Date: _____

Architect/Engineer: _____

Qty: _____

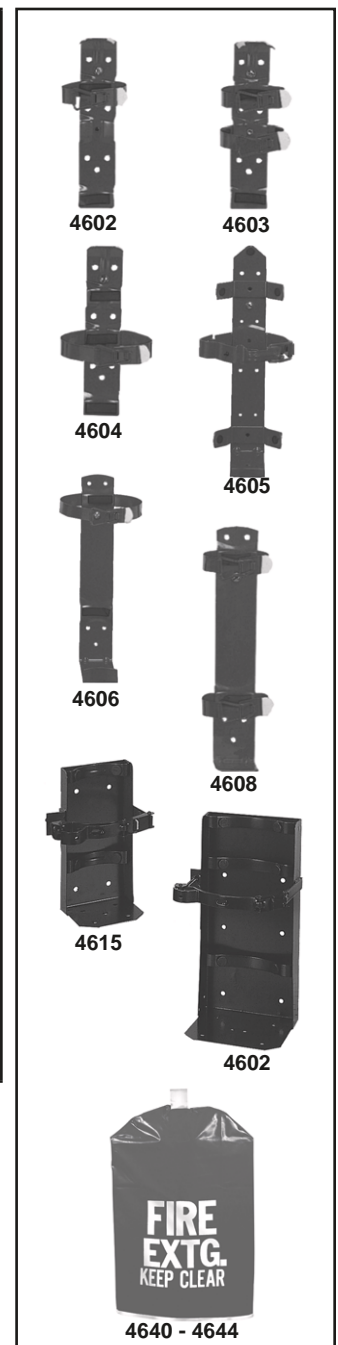
Contractor: _____

Appropriate Selection

Extinguisher Brackets and Covers

Manufactured of steel, primed and polyester powder painted finish. Extinguishers are U.S. Coast Guard Approved only with bracket(s) indicated. Covers manufactured of reinforced vinyl with velcro closures.

Extinguisher Type	Model No.	Size & Capacity	Cylinder Diameter	U.S.C.G. Approved* Bracket	Heavy Duty Vehicle Bracket	Cover
ABC Dry Chemical	4002(T)	2½ lbs.	3"	<input type="checkbox"/> 4602	<input type="checkbox"/> 4603	---
	4005(T)	5 lbs.	4¼"	<input type="checkbox"/> 4604 <input type="checkbox"/> 4607	<input type="checkbox"/> 4605 <input type="checkbox"/> 4615	<input type="checkbox"/> 4640
	4006	6 lbs.	5"	<input type="checkbox"/> 4606 <input type="checkbox"/> 4616	<input type="checkbox"/> 4606 <input type="checkbox"/> 4616	<input type="checkbox"/> 4640
	4010	10 lbs.	5"	<input type="checkbox"/> 4616	<input type="checkbox"/> 4608 <input type="checkbox"/> 4616	<input type="checkbox"/> 4640
	4020	20 lbs.	7"	<input type="checkbox"/> 4617	<input type="checkbox"/> 4617	<input type="checkbox"/> 4642
BC Dry Chemical	4102T	2½ lbs.	3"	<input type="checkbox"/> 4602	<input type="checkbox"/> 4603	---
	4105(T)	5 lbs.	4¼"	<input type="checkbox"/> 4604 <input type="checkbox"/> 4607	<input type="checkbox"/> 4605 <input type="checkbox"/> 4615	<input type="checkbox"/> 4640
	4110	10 lbs.	5"	<input type="checkbox"/> 4616	<input type="checkbox"/> 4608 <input type="checkbox"/> 4616	<input type="checkbox"/> 4640
	4120	20 lbs.	7"	<input type="checkbox"/> 4617	<input type="checkbox"/> 4617	<input type="checkbox"/> 4642
Purple K Dry Chemical	4202T	2½ lbs.	3"	<input type="checkbox"/> 4602	<input type="checkbox"/> 4603	---
	4205T	5 lbs.	4¼"	<input type="checkbox"/> 4604 <input type="checkbox"/> 4607	<input type="checkbox"/> 4605 <input type="checkbox"/> 4615	---
	4210	10 lbs.	5"	<input type="checkbox"/> 4616	<input type="checkbox"/> 4608 <input type="checkbox"/> 4616	<input type="checkbox"/> 4640
	4220	20 lbs.	7"	<input type="checkbox"/> 4617	<input type="checkbox"/> 4617	<input type="checkbox"/> 4642
Carbon Dioxide	4305	5 lbs.	5¼"	<input type="checkbox"/> 4616	<input type="checkbox"/> 4616	<input type="checkbox"/> 4640
	4310	10 lbs.	7"	<input type="checkbox"/> 4617	<input type="checkbox"/> 4617	<input type="checkbox"/> 4642
	4315	15 lbs.	7"	<input type="checkbox"/> 4617	<input type="checkbox"/> 4617	<input type="checkbox"/> 4644
	4320	20 lbs.	8"	<input type="checkbox"/> 4618	<input type="checkbox"/> 4618	<input type="checkbox"/> 4644
Halotron 1	4401T	1¼ lbs.	2⅞"	---	---	---
	4402T	2½ lbs.	3"	---	<input type="checkbox"/> 4603	---
	4405T	5 lbs.	4¼"	<input type="checkbox"/> 4604 <input type="checkbox"/> 4607	<input type="checkbox"/> 4605 <input type="checkbox"/> 4615	---
	4411	11 lbs.	5¼"	<input type="checkbox"/> 4619	<input type="checkbox"/> 4619	<input type="checkbox"/> 4642
	4415	15½ lbs.	5½"	<input type="checkbox"/> 4619	<input type="checkbox"/> 4619	<input type="checkbox"/> 4642
Class D Dry Powder	4430	30 lbs.	7"	---	<input type="checkbox"/> 4617	<input type="checkbox"/> 4644
	4431	30 lbs.	7"	---	<input type="checkbox"/> 4617	<input type="checkbox"/> 4644
Water	4502	2½ gal.	7"	---	<input type="checkbox"/> 4617	<input type="checkbox"/> 4642
Water Mist	4502M	2½ gal.	7"	---	<input type="checkbox"/> 4617	<input type="checkbox"/> 4642
Wet Chemical	4512	2½ gal.	7"	---	<input type="checkbox"/> 4617	<input type="checkbox"/> 4644
	4516	6 lts.	7"	---	---	<input type="checkbox"/> 4644
FFFP foam	4522	2½ gal.	7"	---	<input type="checkbox"/> 4617	<input type="checkbox"/> 4642



* Extinguishers are U.S. Coast Guard approved only with the bracket(s) indicated

4640 - 4644