



GUARDIAN

FIRE EQUIPMENT, INC.
MIAMI, FL

Ph. 800.327.6584 • Fax 800.827.3869

DETAIL AND SUBMITTAL SHEET

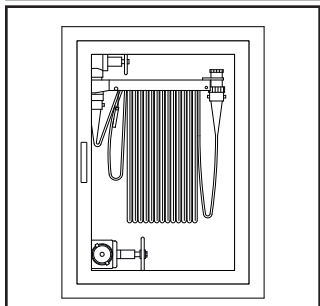
1400 Series - Hose/Valve Cabinets

Project/Location: _____ Date: _____

Architect/Engineer: _____ Qty: _____

Contractor: _____

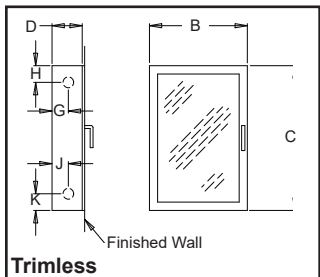
Appropriate Selection



Accommodates: 1 1/2" Fire hose rack assembly and 2 1/2" Fire Dept. Valve

Standard Construction & Features: One piece 20 gauge cold-rolled steel door and frame, 18 gauge steel box. Door is reinforced with rigid tubular metal. Continuous steel piano hinge and pin. White baked acrylic enamel finish (suitable as prime or finish coat). Door handle hardware.

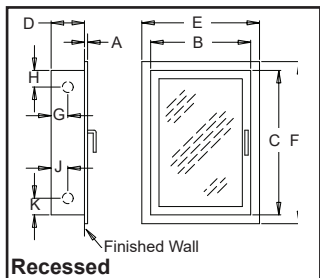
Model No.	Mounting Style	Trim A	Inside Box Dimensions				Frame O.D.*		Knockout Location				Wall Opening			ADA
			B	C	D	E	F	G	H	J	K	W	H	D		
<input type="checkbox"/> 1410	Trimless	---	24"	38"	8"	---	---	4"	4"	4"	4"	25"	39"	8 1/2"	✓	
<input type="checkbox"/> 1420	Recessed	3/8"	24"	38"	8"	27 1/2"	41 1/2"	4"	4"	4"	4"	25"	39"	8 1/4"	✓	
<input type="checkbox"/> 1430	Semi-Rec.	1 1/4"	24"	38"	8"	27 1/2"	41 1/2"	4"	4"	4"	4"	25"	39"	7 1/4"	✓	
<input type="checkbox"/> 1440	Semi-Rec.	2 1/2"	24"	38"	8"	27 1/2"	41 1/2"	4"	4"	4"	4"	25"	39"	6"	✓	
<input type="checkbox"/> 1450	Surface	9"	27 1/4"	41 1/2"	8 1/4"	27 1/2"	41 1/2"	---	---	---	---	---	---	---	No	



Fire-Rated

Model No.	Mounting Style	Trim A	Inside Box Dimensions				Frame O.D.*		Knockout Location				Wall Opening			ADA
			B	C	D	E	F	G	H	J	K	W	H	D		
<input type="checkbox"/> FR1420	Recessed	3/8"	24"	38"	8"	27 1/2"	41 1/2"	---	---	---	---	26 1/8"	40 1/8"	9 1/8"	✓	
<input type="checkbox"/> FR1430	Semi-Rec.	1 1/4"	24"	38"	8"	27 1/2"	41 1/2"	---	---	---	---	26 1/8"	40 1/8"	8 1/8"	✓	
<input type="checkbox"/> FR1440	Semi-Rec.	2 1/2"	24"	38"	8"	27 1/2"	41 1/2"	---	---	---	---	26 1/8"	40 1/8"	7"	✓	

*Deduct 3/4" O.D. for aluminum door and frame



Door Styles



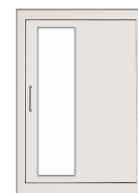
-A Full Glass



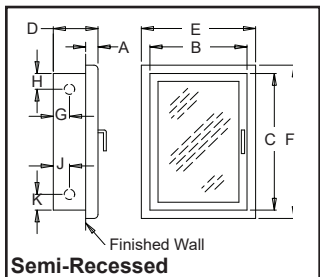
-F Solid Panel



-D Duo Panel



-V Vertical Duo Panel



Option: -SL Safety cam lock

All door styles (except -F) furnished standard with clear acrylic inserts, alternate inserts available
Aluminum "-F" door supplied with aluminum panel insert

Optional Door & Frame Materials:

- AL Aluminum (clear anodized finish)
 - SS 304 Stainless steel (#4 brushed finish)
 - B Solid brass doors/frames
 - BZ Bronze doors/frames
- Add prefix to model no. to specify
- RED Red baked acrylic enamel finish (steel cabinets only)
- Add suffix to model no. to specify

Optional Door Lettering:

- Decals**
- 2511 Fire Hose, 1 1/4" w. x 15" h.
 - 2513 Fire Dept. Valve 12" w. x 2 7/8" h.
 - 2514 Fire Hose, 12" w. x 4" h.
 - 2515 Fire Hose, 14" w. x 2 3/8" h.
- Die-Cut Letters**

- 2520 Select _____
- Horizontal Vertical
- Black Red White

Select Contents:

- Model # _____ hose rack assembly
- Model # _____ fire dept. valve

