



GUARDIAN

FIRE EQUIPMENT, INC.
MIAMI, FL

Ph. 800.327.6584 • Fax 800.827.3869

DETAIL AND SUBMITTAL SHEET

3100 Series - 2 1/2" x 1 1/2" Fire Hose Rack Assembly

Project/Location: _____

Date: _____

Architect/Engineer: _____

Qty: _____

Contractor: _____

Appropriate Selection

Assembly Model No.	Hose Length	Dimensions			
		A	B	C	D
<input type="checkbox"/> 3105	50'	30"	27"	22"	5"
<input type="checkbox"/> 3107	75'	30"	27"	22"	5"
<input type="checkbox"/> 3110	100'	30"	27"	22"	5"

Standard Assembly Components

- Model 5025** Angle Valve 2 1/2", Cast Brass, UL
- Model 3215** Hose Rack, Red Enamel Steel, UL
- Model 3225** Rack Nipple 2 1/2", Machined Brass
- Model 3315** Reducer 2 1/2" x 1 1/2", Cast Brass
- Model 3402** Lined Rack Hose 1 1/2", 500 PSI
- Model 3480** Hose Coupling 1 1/2", Pin Lug, Cast Brass
- Model 3704** Fog Nozzle 1 1/2", Machined Brass, UL

Optional Finishes

- **B Polished** brass components, standard red rack
- **C Rough Chrome Plated** brass components, standard red rack
- **D Polished Chrome Plated** brass components, standard red rack
- **E Rough Chrome Plated** brass components, **Chrome Plated** rack
- **F Polished Chrome Plated** brass components, **Chrome Plated** rack

Optional Assembly Components

2 1/2" VALVES

- **9** Model 3275 Valve Escutcheon, Cadmium Plated
- **11** Model 3245 Adjustable Pressure Restricting Device, Cast Brass
- **12** Model 3250 Pressure Restricting Disc, Brass (1 1/2")
- **17** Model 5045 Adjustable Pressure Restricting Valve, Cast Brass
- **19** Model 5255 Factory Set Pressure Regulating Valve, Cast Brass
- **21** Model 5225 Adjustable Pressure Regulating Valve, Cast Brass

1 1/2" HOSE

- **22*** Model 3412 Single Jacket Hose, 300 PSI Acceptance Test
- **24*** Model 3422 Single Jacket Hose, 500 PSI Acceptance Test

1 1/2" COUPLINGS

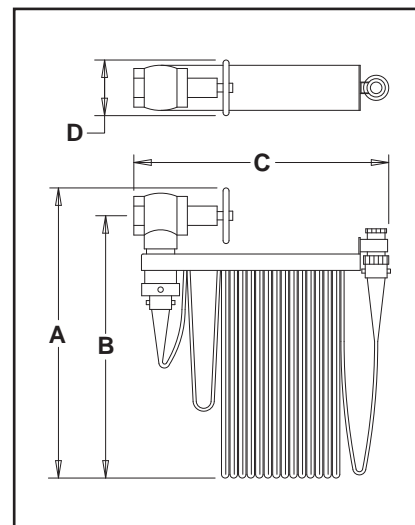
- **26** Model 3480-RL Rocker Lug Coupling, Cast Brass
- **28** Model 3490 Rocker Lug Coupling, Aluminum

1 1/2" NOZZLES

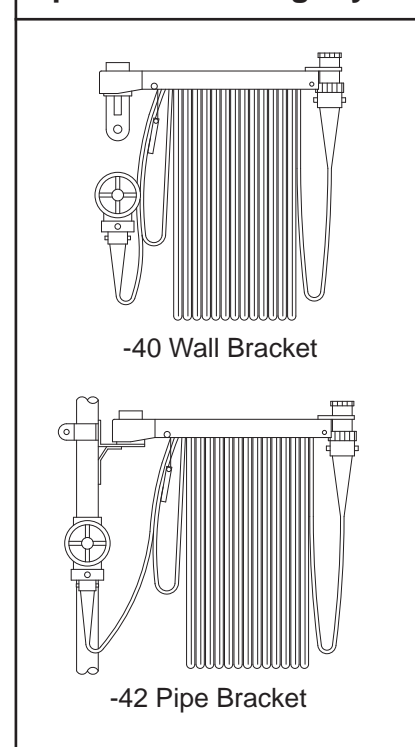
- **30** Model 3704B Fog Nozzle with bumper, Machined Brass
- **32** Model 3724 Industrial Fog Nozzle, Machined Brass
- **34** Model 3724E Industrial All-Fog Nozzle, Machined Brass
- **36** Model 3714 Fog Nozzle, Red Polycarbonate
- **38** Model 3714E All-Fog Nozzle, Red Polycarbonate

MOUNTING

- **40** Model 3230 Wall Bracket, Aluminum
- **42** Model 3232 Pipe Bracket, Aluminum with Clamps



Optional Mounting Styles



*This option changes rack assembly dimensions, consult factory for use with cabinets
Contact factory for current listings and approvals