



**GUARDIAN**

FIRE EQUIPMENT, INC.  
MIAMI, FL

Ph. 800.327.6584 • Fax 800.827.3869

**DETAIL AND SUBMITTAL SHEET**

**3500 Series - Hose Racks and Hangers**

Project/Location: \_\_\_\_\_

Date: \_\_\_\_\_

Architect/Engineer: \_\_\_\_\_

Qty: \_\_\_\_\_

Contractor: \_\_\_\_\_

*Appropriate Selection*

**Hump Rack** - Heavy-gauge steel construction, red enamel finish. Sturdy wall bracket permits 180° swing.

Rack Model No.	Rack Capacity			Dimensions			Cover Model No. (Optional)	
	Hose Size	Rack Hose	Single Jacket	Double Jacket	A	B		Width
<input type="checkbox"/> 3533	1 1/2"	200'*	100'	75'	27 7/8"	33 1/2"	4 1/8"	<input type="checkbox"/> 3543
<input type="checkbox"/> 3534	2 1/2"	200'*	100'	75'	27 7/8"	33 1/2"	5 5/8"	<input type="checkbox"/> 3544

\*Capacity based upon two-hose (equal length) combination

Option:  -42 Pipe Clamps  
Specify pipe size: \_\_\_\_\_

**Hump Rack Cover**  
Red vinyl lettered "Fire Hose".  
Select model in chart.

**In-Column Hanger** - Cast aluminum construction. Two-piece design with spring-loaded upper support.

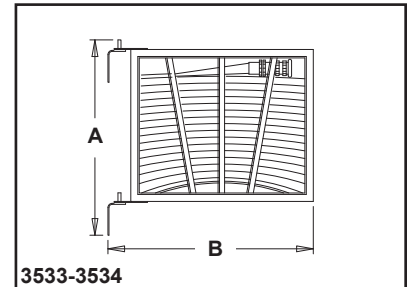
Model No.	Accommodates
<input type="checkbox"/> 3550	Accommodates 1 1/2" or 2 1/2" x 100' single or double jacket hose

**Nozzle Holder Clip**

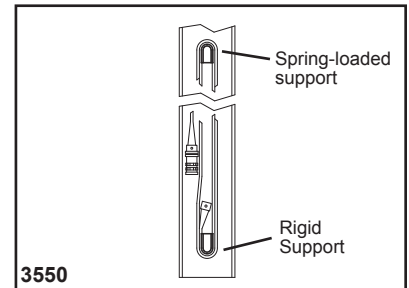
Model No.	Accommodates
<input type="checkbox"/> 3554	Nozzle holder clip

**Hose Saddle Rack** - 12 gauge steel construction, red enamel finish.  
Size: 16" W. x 10" H.

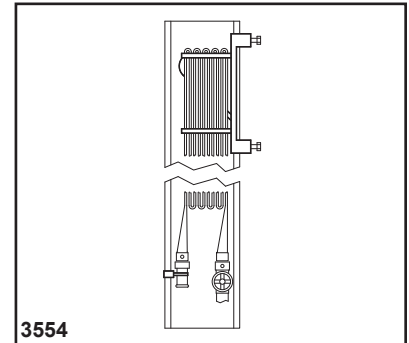
Model No.	A	Accommodates
<input type="checkbox"/> 3561	3 1/2"	Accommodates 1 1/2" x 50' single jacket hose
<input type="checkbox"/> 3562	4 1/2"	Accommodates 1 1/2" x 100' single jacket hose
<input type="checkbox"/> 3563	6 1/4"	Accommodates 2 1/2" x 50' single jacket hose
<input type="checkbox"/> 3564	9"	Accommodates 2 1/2" x 100' single jacket hose



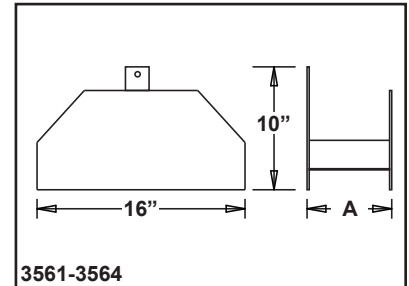
3533-3534



3550



3554



3561-3564