



GUARDIAN

FIRE EQUIPMENT, INC.
MIAMI, FL

Ph. 800.327.6584 • Fax 800.827.3869

DETAIL AND SUBMITTAL SHEET

3500 Series - Hose Reels

Project/Location: _____

Date: _____

Architect/Engineer: _____

Qty: _____

Contractor: _____

Appropriate Selection

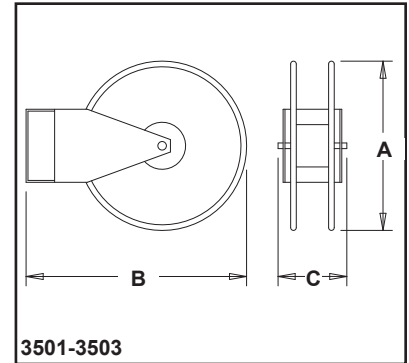
Hose Reel - Disc Type - Solid one-piece steel discs with slots, painted red enamel. Sturdy wall bracket permits 180° swing. Suitable for Rack/Reel, Single and Double Jacket fire hose.

Reel Model No.	Reel Capacity					Dimensions			Cover Model No. (Optional)
	Rack Hose	Single Jacket		Double Jacket		A	B	C	
		1 1/2"	1 1/2"	2 1/2"	1 1/2"				
<input type="checkbox"/> 3501	100'	--	--	--	--	18"	23 1/2"	6 1/4"	<input type="checkbox"/> 3511
<input type="checkbox"/> 3502	150'*	100'	--	50'	--	24"	29 1/2"	6 1/4"	<input type="checkbox"/> 3512

*Capacity based upon two-hose (equal length) combination

Option: **Hose Reel Cover**

Red vinyl lettered "Fire Hose".
Select model in chart.



3501-3503

Hose Reel - Spoke Type - Steel rims, mounting arms, spokes and heavy duty hub, painted red enamel, welded construction. Heavy duty wall brackets permit 180° swing. Suitable for Rack/Reel, Single and Double Jacket fire hose

Reel Model No.	Reel Capacity						Dimensions			Cover Model No. (Optional)
	Rack Hose		Single Jacket		Double Jacket		A	B	C	
	1 1/2"	2 1/2"	1 1/2"	2 1/2"	1 1/2"	2 1/2"				
<input type="checkbox"/> 3505	100'	--	75'	--	50'	--	21"	27"	7 1/2"	<input type="checkbox"/> 3515
<input type="checkbox"/> 3506	200'*	--	150'*	75'	100'	--	21"	33"	7 1/2"	<input type="checkbox"/> 3516
<input type="checkbox"/> 3508	--	--	200'*	100'	150'*	75'	26"	34"	9 1/2"	<input type="checkbox"/> 3518

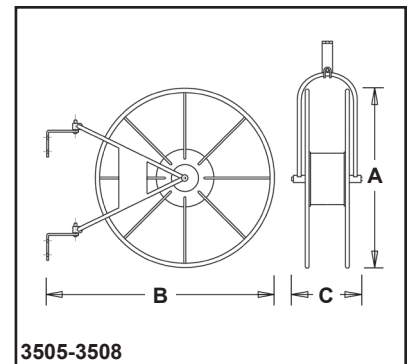
*Capacity based upon two-hose (equal length) combination

Option: **Hose Reel Cover**

Red vinyl lettered "Fire Hose".
Select model in chart.

-42

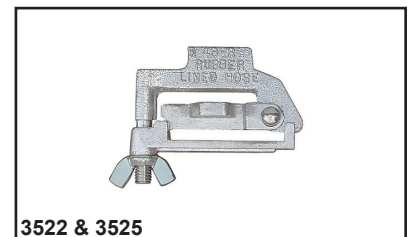
Pipe brackets and clamps



3505-3508

Semi-Automatic Hose Clamp - Permits valve to be opened, while retention feature prevents water flow until hose is removed from reel and clamp (one-person operation)

Model No.	Accommodates
<input type="checkbox"/> 3522	For use with 1 1/2" Rack and Reel Hose
<input type="checkbox"/> 3525	For use with: 1 1/2" Single Jacket Hose



3522 & 3525