



**GUARDIAN**

FIRE EQUIPMENT, INC.  
MIAMI, FL

Ph. 800.327.6584 • Fax 800.827.3869

**DETAIL AND SUBMITTAL SHEET**

**7200 Series - Monitor Accessories**

Project/Location: \_\_\_\_\_ Date: \_\_\_\_\_

Architect/Engineer: \_\_\_\_\_ Qty: \_\_\_\_\_

Contractor: \_\_\_\_\_

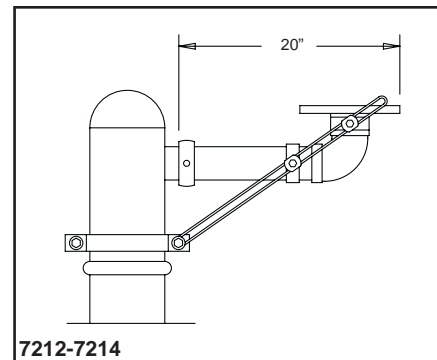
*Appropriate Selection*

**Hydrant Mount** - Used to connect monitor to fire hydrant's hose outlet.

Cast brass swivel inlet, tube and elbow, cast iron flange. Models **7212-7214** include elbow assembly includes adjustable steel support arms, brackets and mounting hardware. Models **7215 & 7216** include welded steel frame and adjustable chrome plated steel support legs.

Model No.	Configuration
<input type="checkbox"/> 7212*	2 1/2" Female NST x 2 1/2" Male NPT
<input type="checkbox"/> 7213*	2 1/2" Female NST x 3" 150# ANSI Flange
<input type="checkbox"/> 7214*	2 1/2" Female NST x 4" 150# ANSI Flange
<input type="checkbox"/> 7215	2 1/2" Female NST x 3" 150# ANSI Flange
<input type="checkbox"/> 7216	2 1/2" Female NST x 4" 150# ANSI Flange

\*Specify diameter of hydrant used



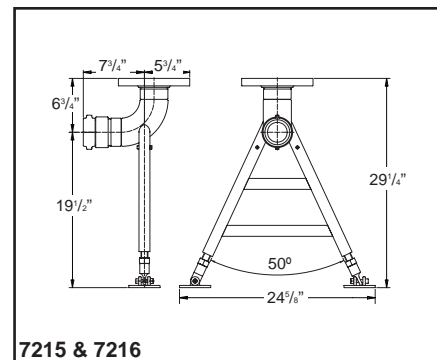
**7212-7214**

**Hydrant Base** - Used to support monitor and provide hose outlet connections.

Schedule 40 steel fabricated, painted red. Four 2 1/2" male NPT outlets, each with Model 5110 2 1/2" brass non-rising stem gate valves and caps.

Model No.	Configuration
<input type="checkbox"/> 7224	6" base x 4" top, 150# ANSI flange
<input type="checkbox"/> 7226	6" base x 6" top, 150# ANSI flange

Option:  -BV Cast iron wafer style butterfly valve

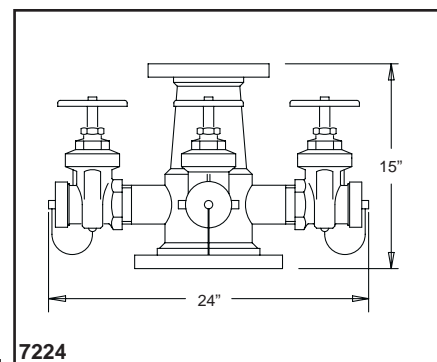


**7215 & 7216**

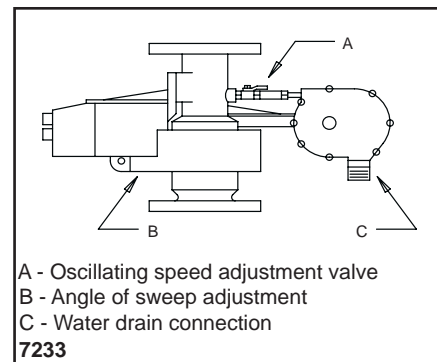
**Oscillating Base** - Designed to transform a manual monitor into one which oscillates automatically.

All oscillating mechanism components constructed of brass and stainless steel, exterior painted red. Water-powered, suitable for operating pressures from 50 to 200 PSI. Adjustable oscillating speed and angle of sweep.

Model No.	Configuration
<input type="checkbox"/> 7233	3" base x 3" top, 150# ANSI flange
<input type="checkbox"/> 7234	4" base x 4" top, 150# ANSI flange



**7224**



A - Oscillating speed adjustment valve  
B - Angle of sweep adjustment  
C - Water drain connection

**7233**