



**GUARDIAN**

FIRE EQUIPMENT, INC.  
MIAMI, FL

Ph. 800.327.6584 • Fax 800.827.3869

**DETAIL AND SUBMITTAL SHEET**

**2800 Series - Multi-Purpose Flush Access Panels**

Project/Location: \_\_\_\_\_

Date: \_\_\_\_\_

Architect/Engineer: \_\_\_\_\_

Qty: \_\_\_\_\_

Contractor: \_\_\_\_\_

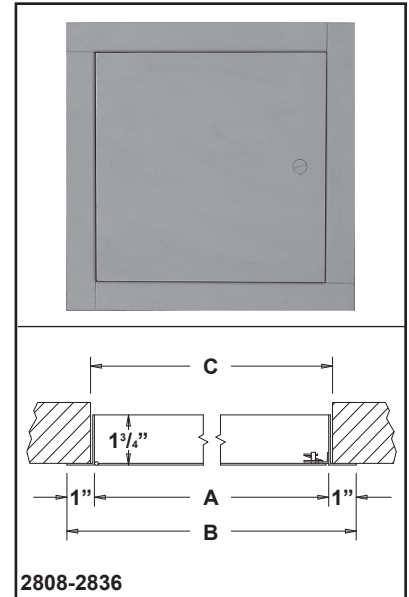
*Appropriate Selection*

**Access Panel - Standard** - 16 gauge steel door and frame, phosphate dipped prime coated. Flush cam lock screwdriver-operated.

Model No.	A Width x Height	B Outside Frame		C Wall Opening		Latches
		Width	Height	Width	Height	
<input type="checkbox"/> 2808	8" x 8"	10"	10"	8 1/2"	8 1/2"	1
<input type="checkbox"/> 2810	10" x 10"	12"	12"	10 1/2"	10 1/2"	1
<input type="checkbox"/> 2812	12" x 12"	14"	14"	12 1/2"	12 1/2"	1
<input type="checkbox"/> 2814	14" x 14"	16"	16"	14 1/2"	14 1/2"	1
<input type="checkbox"/> 2816	16" x 16"	18"	18"	16 1/2"	16 1/2"	1
<input type="checkbox"/> 2818	18" x 18"	20"	20"	18 1/2"	18 1/2"	1
<input type="checkbox"/> 2822	22" x 22"	24"	24"	22 1/2"	22 1/2"	4
<input type="checkbox"/> 2824	24" x 24"	26"	26"	24 1/2"	24 1/2"	4
<input type="checkbox"/> 2830	30" x 30"	32"	32"	30 1/2"	30 1/2"	5
<input type="checkbox"/> 2836	36" x 36"	38"	38"	36 1/2"	36 1/2"	5

**Optional Construction & Hardware:**

- SS** 18 gauge stainless steel     **CL** Cylinder lock with two keys

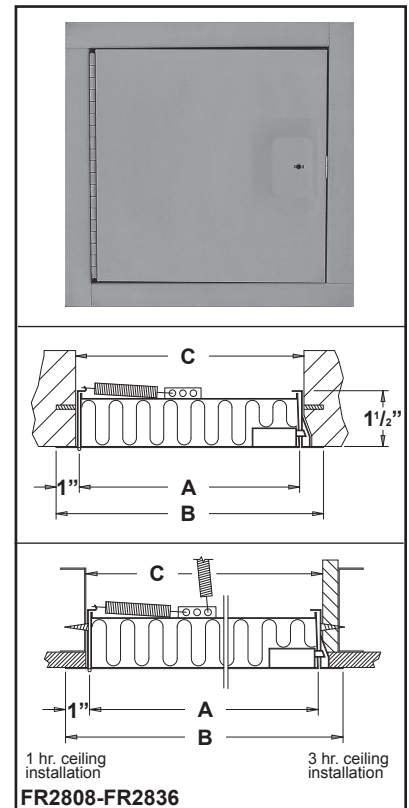


**Access Panel - Fire-Rated** - 16 gauge steel door and 20 gauge steel frame, gray baked enamel finish. Automatic latching, spring-close doors. Turning or key lock option--both provided. U.L. 1 1/2-hour "B" label for walls and **WARNOCK HERSEY** label for 3-hour non-combustible and 1-hour combustible floor/ceiling assemblies.

Model No.	A Width x Height	B Outside Frame		C Wall Opening		Latches
		Width	Height	Width	Height	
<input type="checkbox"/> FR2808	8" x 8"	10"	10"	8 1/2"	8 1/2"	1
<input type="checkbox"/> FR2810	10" x 10"	12"	12"	10 1/2"	10 1/2"	1
<input type="checkbox"/> FR2812	12" x 12"	14"	14"	12 1/2"	12 1/2"	1
<input type="checkbox"/> FR2814	14" x 14"	16"	16"	14 1/2"	14 1/2"	1
<input type="checkbox"/> FR2816	16" x 16"	18"	18"	16 1/2"	16 1/2"	1
<input type="checkbox"/> FR2818	18" x 18"	20"	20"	18 1/2"	18 1/2"	1
<input type="checkbox"/> FR2824	24" x 24"	26"	26"	24 1/2"	24 1/2"	1
<input type="checkbox"/> FR2830	30" x 30"	32"	32"	30 1/2"	30 1/2"	2
<input type="checkbox"/> FR2836	36" x 36"	38"	38"	36 1/2"	36 1/2"	2

**Optional Construction & Hardware:**

- SS** 16 gauge frame, 20 gauge door     **KK** Knurled knob



\*Extra spring on 16"x16" and larger - spring must be attached from the spring base to the framing or floor above to ensure that the panel is self-closing.