



**GUARDIAN**

FIRE EQUIPMENT, INC.  
MIAMI, FL

Ph. 800.327.6584 • Fax 800.827.3869

**DETAIL AND SUBMITTAL SHEET**

**6700 Series - Flush Fire Pump Test Connections**

Project/Location: \_\_\_\_\_ Date: \_\_\_\_\_

Architect/Engineer: \_\_\_\_\_

Contractor: \_\_\_\_\_

*Appropriate Selection*

Used to conduct flow tests on fire pumps.

**Two and three-way** test connections feature brass bodies (straight, angle or end pattern) with female NPT inlets and outlets.

**Standard components, all connections:**

Hydrant outlet snoots (2 1/2" female NPT x 2 1/2" male NPT). N.R.S. loose bonnet gate valves (2 1/2" female NPT x 2 1/2" male hose thread), caps with chains and identification plate lettered "FIRE PUMP TEST". Cast brass construction, standard.

**Two and Three-Way Connections**

Model No.	Outlet	Size	A	B	C	D	E
<input type="checkbox"/> 6724	Back	4" x 2 1/2" x 2 1/2"	11"	6 1/8"	---	---	7"
<input type="checkbox"/> 6725	Angle	4" x 2 1/2" x 2 1/2"	11"	6 1/8"	4 1/8"	---	7"
<input type="checkbox"/> 6726**	End	4" x 2 1/2" x 2 1/2"	---	---	---	16"	7"
<input type="checkbox"/> 6727	Back	6" x 2 1/2" x 2 1/2"	11 1/2"	8"	---	---	7 5/8"
<input type="checkbox"/> 6728	Angle	6" x 2 1/2" x 2 1/2"	11 1/2"	7 3/4"	4 1/8"	---	7 5/8"
<input type="checkbox"/> 6729**	End	6" x 2 1/2" x 2 1/2"	---	---	---	16"	7"
<input type="checkbox"/> 6734*	Back	6" x 2 1/2" x 2 1/2" x 2 1/2"	17 3/8"	6 1/8"	---	---	7"
<input type="checkbox"/> 6735*	Angle	6" x 2 1/2" x 2 1/2" x 2 1/2"	17 3/8"	9"	6"	---	7"
<input type="checkbox"/> 6736**	End	6" x 2 1/2" x 2 1/2" x 2 1/2"	---	---	---	20 1/2"	7"

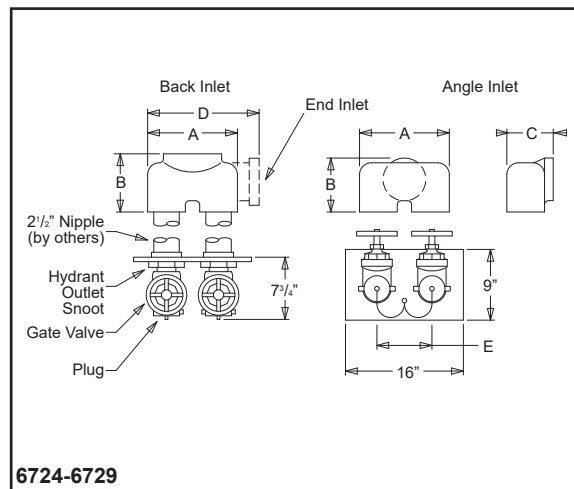
\*Hydrant outlet, 3" F.NPT x 2 1/2" M.NPT    \*\* With steel body only

Optional Finish:  -B Polished Brass  
 -C Rough Chrome Plated  
 -D Polished Chrome Plated

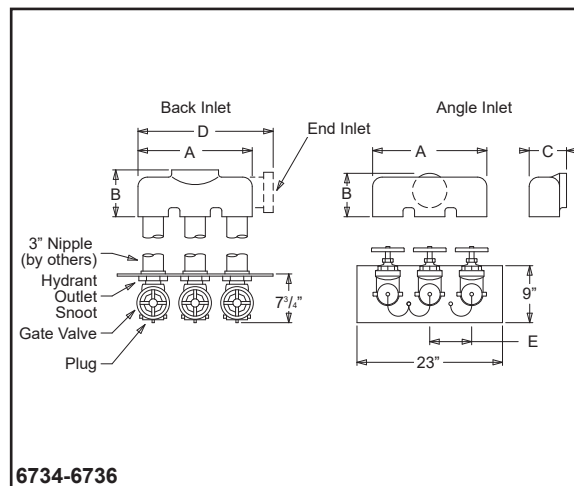
Threads:  NST  
 Other

**Component Variations**

- ST Bodies fabricated of schedule 40 steel with female NPT inlets and 2 1/2" female NPT outlets (7" center lines)
- 1 Standard components, except hydrant outlet snoots (2 1/2" female NPT x 2 1/2" male hose thread), and less valves
- 2 Standard components except hydrant outlet snoots (2 1/2" female NPT x 2 1/2" male hose thread), and N.R.S. swivel inlet gate valves (2 1/2" female hose thread x 2 1/2" male hose thread).  
*Swivel inlet gate valves always furnished cast brass.*



6724-6729



6734-6736