



Guardian Fire Equipment, Inc.

3430 NW 38th Street

Miami, Florida 33142

Phone: (305) 633-0361 • Fax: (305) 638-4632

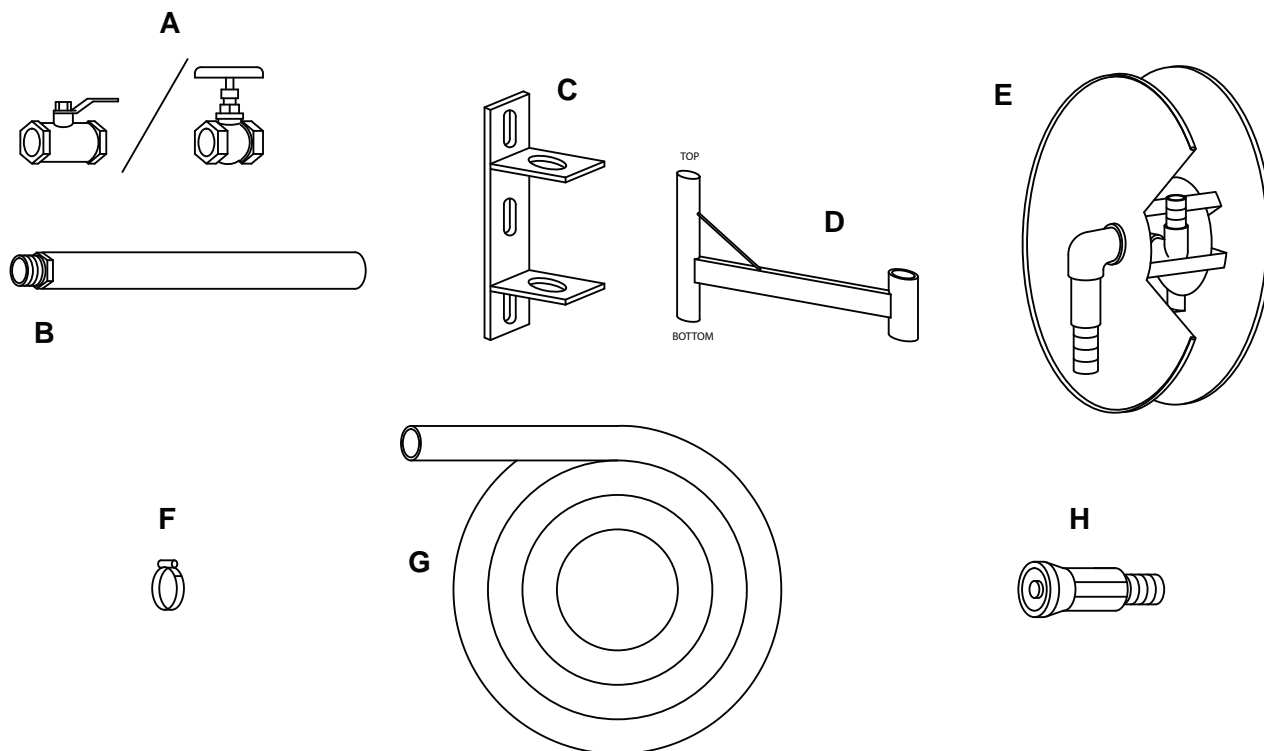
SWINGING REEL COMPONENTS

MODEL 3631 (3/4") / 3632 (1")

PART	QTY	DESCRIPTION
A	1	1" BALL VALVE OR GLOBE VALVE *
B	1	1" CONNECTION HOSE (4 FEET)
C	1	REEL BRACKET
D	1	REEL ARM

PART	QTY	DESCRIPTION
E	1	HOSE REEL
F	3	WORM DRIVE CLAMP
G	1	HOSE (3/4" OR 1" / LENGTH) *
H	1	NOZZLE (3/4" OR 1") *

* SPECIFY ON ORDER



INSTALLATION:

- 1 - INSTALL SUPPLY VALVE "A" AND FLEXIBLE CONNECTION "B"
- 2 - INSTALL BRACKET "C" IN DESIGNATED REEL LOCATION
- 3 - INSERT REEL ARM "D" INTO TOP HOLE OF BRACKET "C" AND PUSH UP UNTIL ARM BRACKET (D) CAN BE INSERTED INTO THE BOTTOM HOLE OF BRACKET "C"
- 4 - INSTALL HOSE REEL "E" ONTO REEL ARM "D"
- 5 - CONNECT OTHER END OF HOSE "B" TO EXTERNAL SHANK ON HOSE REEL "E" USING ONE CLAMP "F"
- 6 - CONNECT HOSE "J" TO INTERNAL BARB SHANK OF HOSE REEL "G" USING ONE "H" CLAMP, THE WIND HOSE ONTO REEL
- 7 - CONNECT OTHER END OF HOSE "J" TO NOZZLE "K" USING ONE "H" CLAMP