



GUARDIAN

FIRE EQUIPMENT, INC.
MIAMI, FL

Ph. 800.327.6584 • Fax 800.827.3869

DETAIL AND SUBMITTAL SHEET

7000 Series - Handwheel Operated Monitors

Project/Location: _____

Date: _____

Architect/Engineer: _____

Qty: _____

Contractor: _____

Appropriate Selection

Used where associated hazards require a greater flow/effective reach of water or foam solution to be delivered from a fixed location.

Model 7025 (Fixed)

Corrosion-resistant cast brass construction, red enamel finish. Waterways designed to minimize nozzle thrust reaction, permitting one-person operation. 360° horizontal rotation with twist lock mechanism. Vertical travel controlled by gear-driven handwheel. Ball-mounted swivel with grease fittings for lubrication. Low friction loss, unobstructed waterways. Minimum maintenance.

Model No.	Maximum Flow	Waterway	Outlet
<input type="checkbox"/> 7025	1250 gpm	3" Single	2 1/2" M.NST

Available Bases:

- 150 # 3" Flange 150 # 4" Flange

Options/Accessories:

- Master stream nozzle, foam-educing nozzle or deluge tip (refer to 7100 Series)
 Hydrant base with hose outlets or hydrant mounting assembly (refer to 7200 Series)

Model 7040/7045 (Portable)

Durable, light-weight aluminum construction, red enamel finish. Dual application for use in portable mode with ground base or deck mode with optional top mount flange*. Design configuration minimizes nozzle thrust reaction, permitting one-person operation. Handwheel driven worm gear for vertical movement. Two 2 1/2" clappered female NST swivel inlets or single (4" or 5") Storz inlet for hose connections. Heavy duty dual spring-loaded locking pins for quick and secure base set up. Safety stop at 30° above horizontal (can be released for below-horizontal positioning in deck mode). Full 3" unobstructed waterway for flows to 1000 GPM in portable mode and 1200 GPM in deck mode. Liquid filled pressure gauge.

Model No.	Maximum Flow	Waterway	Outlet
<input type="checkbox"/> 7040	800 gpm	3" Single	2 1/2" M.NST
<input type="checkbox"/> 7045	1000 gpm	3" Single	2 1/2" M.NST

Available Bases:

Model 7040

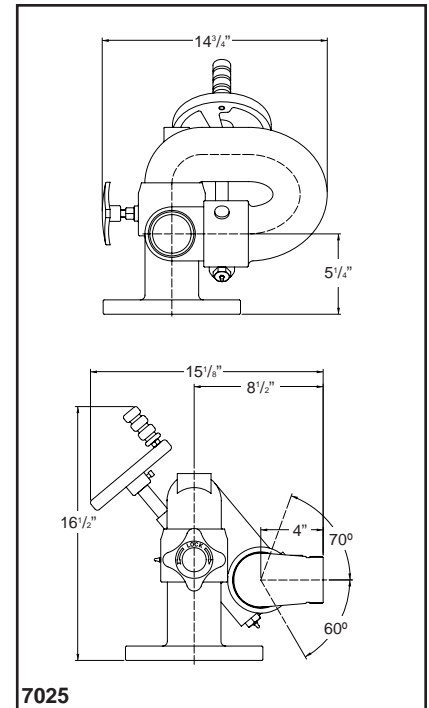
- Two 2 1/2" NST inlets

Model 7045

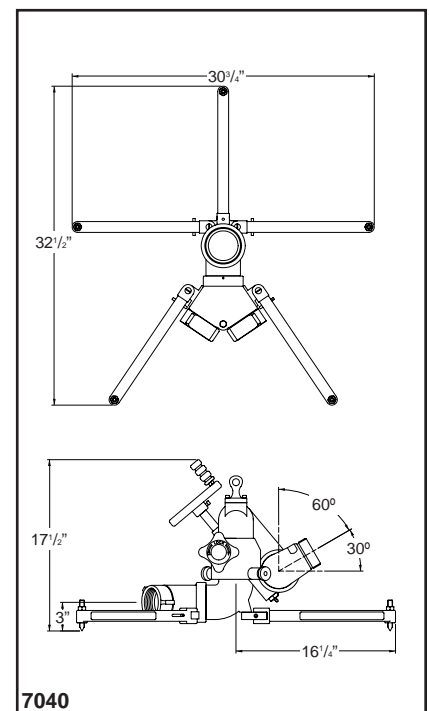
- Single 4" Storz
 Single 5" Storz

Options/Accessories:

- 3FLG* -4FLG* (3" or 4" top mount flange for deck mode)
 -STS Stacked tips with stream shaper, aluminum
 Master stream nozzle, foam-educing nozzle or deluge tip (refer to 7100 Series)



7025



7040