



GUARDIAN

FIRE EQUIPMENT, INC.
MIAMI, FL

Ph. 800.327.6584 • Fax 800.827.3869

DETAIL AND SUBMITTAL SHEET

7000 Series - Portable Monitors (Standard & Mini)

Project/Location: _____

Date: _____

Architect/Engineer: _____

Qty: _____

Contractor: _____

Appropriate Selection

Used where associated hazards require a greater flow/effective reach of water or foam solution.

Model 7040 (Standard)

Durable, light-weight aluminum, red enamel finish. Dual application for use in portable mode with ground base or deck mode with optional top-mount flange. Design configuration minimizes nozzle thrust reaction, permitting one-person operation. Handwheel driven worm gear for vertical movement. Two 2 1/2" clappered female NST swivel inlets or single (4" or 5") Storz inlet for hose connections. Heavy duty dual spring-loaded locking pins for quick and secure base set up. Safety stop at 30° above horizontal (can be released for below-horizontal positioning in deck mode). Full 3" unobstructed waterway for flows to 1000 GPM in portable mode and 1200 GPM in deck mode. Liquid filled pressure gauge.

Model No.	Maximum Flow	Waterway	Travel* + -	Outlet	Base
<input type="checkbox"/> 7040	800 gpm	3" Single	30° 90°	2 1/2" M.NST	Two 2 1/2" NST inlets
<input type="checkbox"/> 7045	1000 gpm	3" Single	30° 90°	2 1/2" M.NST	Single 4" or 5" Storz

Options/Accessories:

- Master stream nozzle or foam-educing nozzle (refer to 7100 Series)
- STS stacked tips w/ stream shaper
- 3FLG 3" top-mount flange option
- 4FLG 4" top-mount flange option

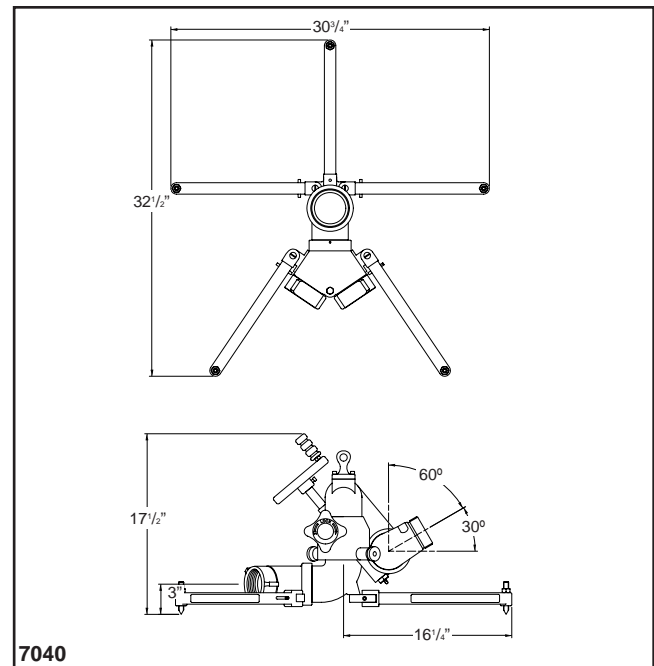
Model 7050 (Mini)

Durable, light-weight aluminum, red enamel finish. Operates like handline nozzle while delivering up to 500 GPM. Ball shutoff with locking handle. Adjustable elevation from 30° to 60° (unmanned) and down to 20° (manned). Adjustable horizontal rotation either side of center. Carbide tip spikes on base provide long term wear resistance and ground stability. Compact folding legs for easy storage. Large handle for carrying.

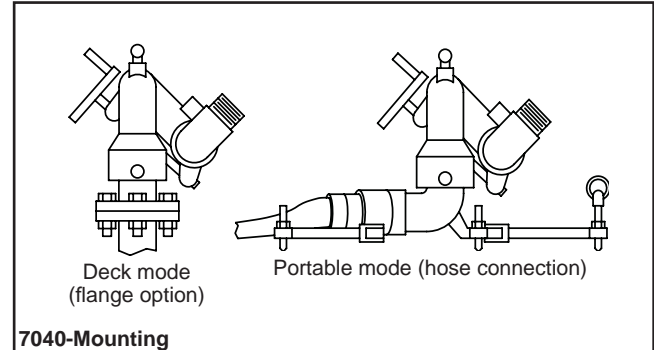
Model No.	Maximum Flow	Waterway	Travel* + -	Outlet	Base
<input type="checkbox"/> 7050	500 gpm	2 1/2" Single	30° 90°	2 1/2" M.NST	2 1/2" NST Inlet

Options/Accessories:

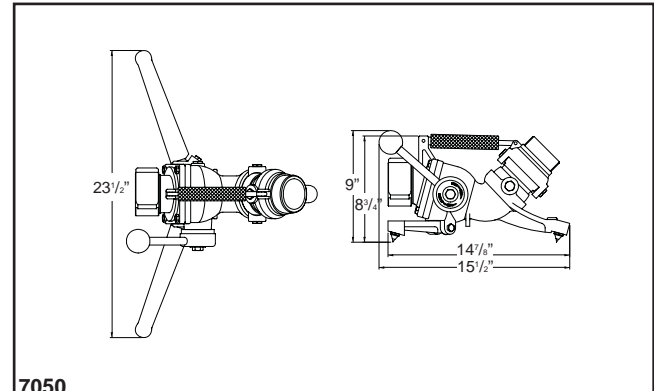
- Master stream nozzle or foam-educing nozzle (refer to 7100 Series)



7040



7040-Mounting



7050