



GUARDIAN

FIRE EQUIPMENT, INC.
MIAMI, FL

Ph. 800.327.6584 • Fax 800.827.3869

DETAIL AND SUBMITTAL SHEET

7000 Series - Lever Operated Monitors

Project/Location: _____

Date: _____

Architect/Engineer: _____

Qty: _____

Contractor: _____

Appropriate Selection

Used where associated hazards require a greater flow/ effective reach of water or foam solution to be delivered from a fixed location.

Corrosion-resistant cast brass construction, red enamel finish. Waterways designed to minimize nozzle thrust reaction, permitting one-person operation. 360° horizontal rotation with twist lock mechanism. Vertical travel controlled by lever and twist lock mechanism. Ball-mounted swivel with grease fittings for lubrication. Low friction loss, unobstructed waterways. Minimum maintenance.

Model No.	Maximum Flow	Waterway	Outlet
<input type="checkbox"/> 7005	400 gpm	2" Single	1 1/2" M.NST
<input type="checkbox"/> 7010	750 gpm	2 1/2" Dual	2 1/2" M.NST
<input type="checkbox"/> 7015	1250 gpm	2 1/2" Single	2 1/2" M.NST
<input type="checkbox"/> 7020	1250 gpm	3" Single	2 1/2" M.NST

Available Bases:

Model 7005

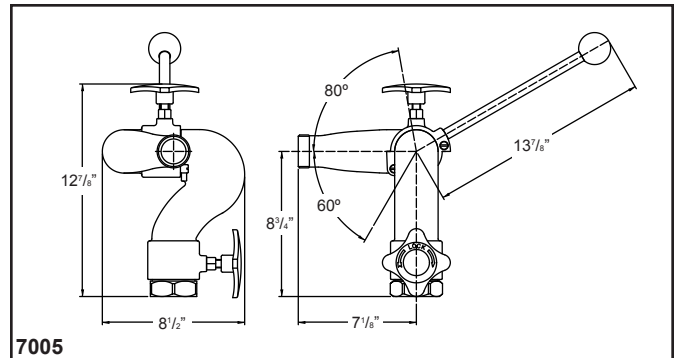
- 2" F.NPT

Models 7010, 7015 and 7020

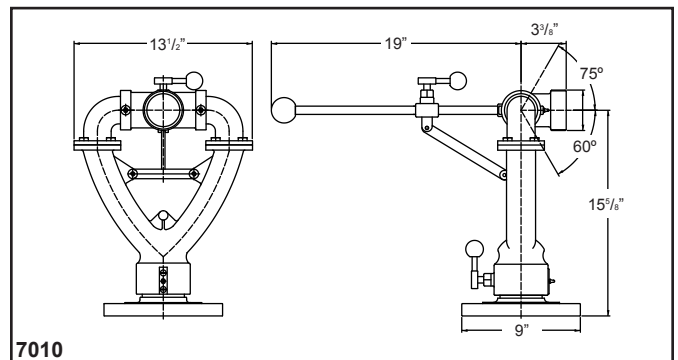
- 2 1/2" F.NPT 2 1/2" M.NPT
- 3" F.NPT 3" M.NPT
- 4" F.NPT 4" M.NPT
- 150 # ANSI 3" Flange
- 150 # ANSI 4" Flange

Options/Accessories:

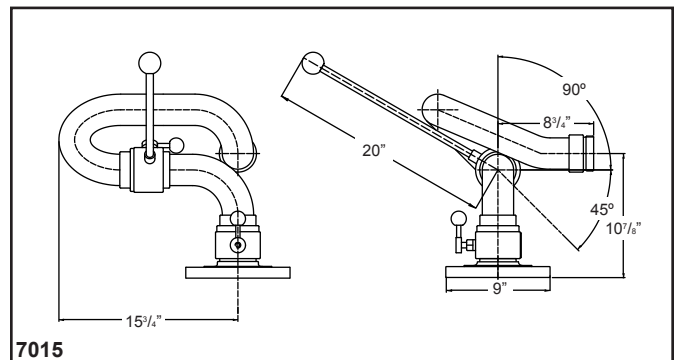
- Master stream nozzle, foam-educing nozzle or deluge tip (refer to 7100 Series)
- Hydrant base with hose outlets or hydrant mounting assembly (refer to 7200 Series)



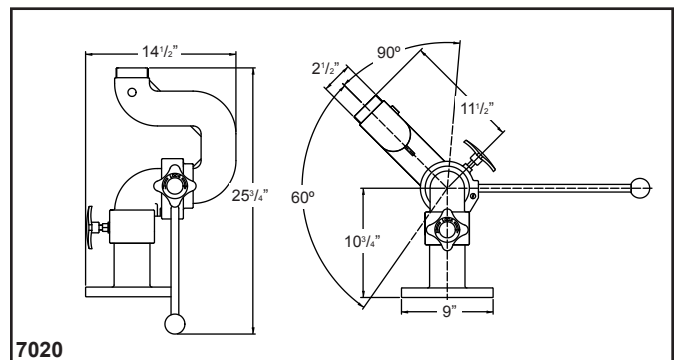
7005



7010



7015



7020