



Model ZW5000

Pressure-Tru® Fire Hose Valve

Application

The Pressure-Tru® ZW5000 Series Pressure Reducing Valve is listed as a standpipe valve for individual hose stations in CLASS I and CLASS III systems. Regulates pressure under both FLOW and NO-FLOW conditions. Ideal for applications where immediate field adjustments are needed. Can be factory set and adjusted or set in the field as needed

Standards Compliance

- UL® Listed
- C-UL® Listed

Material

Main valve body	Cast bronze	ASTM B806
Stem	Cast bronze	ASTM B806
Flange	Cast bronze	ASTM B806
Elastomers	Buna Nitrile (FDA approved)	EPDM (FDA approved)
Springs	Chrome silicon, ASTM A401	powder coated

Features

Sizes:	2 1/2"
Maximum inlet pressure	400 psi
End connection (FNPT)	ANSI B1.20.1
(Grooved)	AWWA C606
(Male hose)	NFPA1963
Factory or Field Set	
Maximum inlet pressure	400 psi
Inlet connection (ZW5000)	FNPT or Groove
Inlet connection (ZW5000F)	FNPT
Outlet connection (ZW5000)	Male hose
Outlet connection (ZW5000F)	FNPT
Factory or Field Set	
Tapped and plugged inlet and outlet for pressure gauge.	



PATENT PENDING

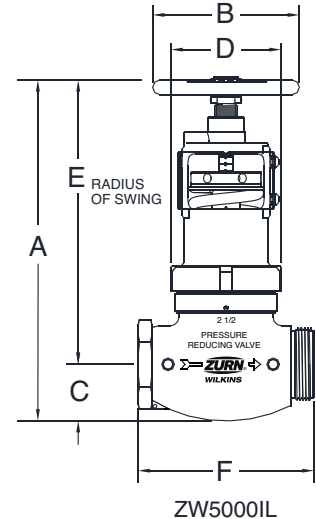
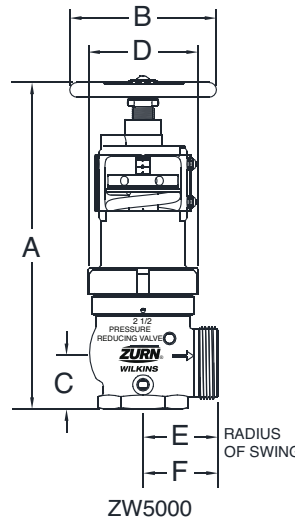
ZW5000

Options

(Suffixes can be combined)

- ZW5000 - angle type valve
- IL - in-line (globe type) valve
- G - with grooved inlet
- SF - with San Francisco hose thread (3")
- ST - with special hose thread
- CC - with cap and chain
- CH - with chrome finish

- ZW5000F - female NPT inlet and outlet angle valve
- IL - female NPT inlet and outlet in-line valve
- CH - with chrome finish



Dimensions & Weights (do not include pkg.)

MODEL	DIMENSIONS (approximate)															
	A OPEN		A CLOSED		B		C		D		E		F		WEIGHT	
	in.	mm	in.	mm	in.	mm	in.	mm	in.	mm	in.	mm	in.	mm	lbs	kg
ZW5000	13 7/8	352	13 3/8	340	6 1/4	159	2	51	5	127	3 1/2	89	3 1/4	83	22.5	10.2
ZW5000IL	14 1/2	368	14	356	6 1/4	159	2 1/2	64	5	127	12 7/16	316	7 1/2	191	26.75	12.1
ZW5000G	14 1/2	368	14	356	6 1/4	159	2 1/2	64	5	127	N/A	N/A	3 1/4	83	22.5	10.2
ZW5000ILG	14 1/2	368	14	356	6 1/4	159	2 1/2	64	5	127	N/A	N/A	8 3/4	222	27	12.2
ZW5000F	13 7/8	352	13 1/4	337	6 1/4	159	2	51	5	127	3 1/2	89	3 1/16	78	23	10.4
ZW5000FIL	14 1/2	368	14	356	6 1/4	159	2 1/2	64	5	127	12 7/16	316	7 1/2	191	27.25	12.4
ZW5000SF	13 7/8	352	13 3/8	340	6 1/4	159	2	51	5	127	3 3/4	95	3 3/8	86	22.5	10.2

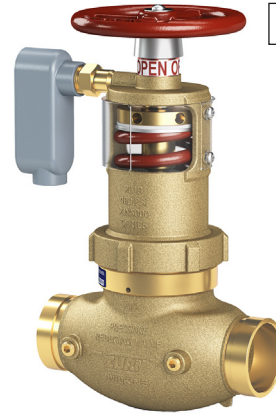


Model ZW5004

Pressure-Tru® Floor Control Valve

Application

The Pressure-Tru® ZW5004 Series Pressure Reducing Valve is listed as a floor control valve, an indicating valve, and a check valve in automatic sprinkler systems as well as a standpipe valve for CLASS I and CLASS III systems. Regulates pressure under both flow and no-flow conditions. Ideal for applications where immediate field adjustments are needed. Can be factory set and adjusted or set in the field as needed. The valve has a listed supervisory switch built in. Suitable for indoor / outdoor use. Tamper resistant housing can be rotated for easy wiring switch rated 3 amps @ 125 VAC. Normally open contacts are standard.



PATENT PENDING

ZW5004ILG

Standards Compliance

- UL® Listed
- C-UL® Listed

Material

Main valve body	Cast bronze	ASTM B806
Stem	Cast bronze	ASTM B806
Flange	Cast bronze	ASTM B806
Elastomers	Buna Nitrile	EPDM
Springs	Chrome silicon,	ASTM A401 powder coated

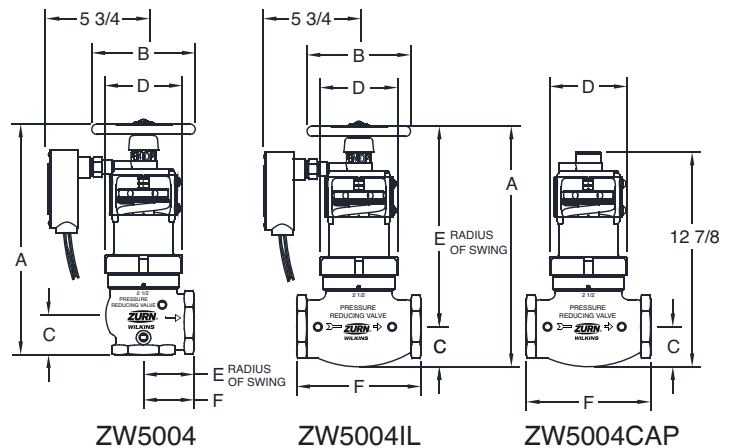
Options

(Suffixes can be combined)

- angle type valve
- IL - in-line (globe type) valve
- G - with grooved inlet
- CAP - with capped bonnet, no handwheel assembly and no supervisory switch

Features

- Sizes: 2 1/2"
- Maximum inlet pressure 400 psi
- End connection (FNPT) ANSI B1.20.1
- (Grooved) AWWA C606
- Factory or Field Set
- Tapped and plugged inlet and outlet for pressure gauge (both sides).
- Integral supervisory switch contact rating of 3 amps at 125VAC and a tamper resistant cover



Dimensions & Weights (do not include pkg.)

MODEL	DIMENSIONS (approximate)															
	A OPEN		A CLOSED		B		C		D		E		F		WEIGHT	
	in.	mm	in.	mm	in.	mm	in.	mm	in.	mm	in.	mm	in.	mm	lbs	kg
ZW5004	13 7/8	352	13 3/8	340	6 1/4	159	2	51	5	127	3 1/2	89	3 1/4	83	23	10.2
ZW5004IL	14 1/2	368	14	356	6 1/4	159	2 1/2	64	5	127	12 7/16	316	7 1/2	191	27.25	12.4
ZW5004G	14 1/2	368	14	356	6 1/4	159	2 1/2	64	5	127	N/A	N/A	3 1/4	83	23	10.2
ZW5004ILG	14 1/2	368	14	356	6 1/4	159	2 1/2	64	5	127	N/A	N/A	8 3/4	222	27.25	12.4